



**UNIA**

**ARES**  
DISC HARROW



[uniamachines.com](http://uniamachines.com)



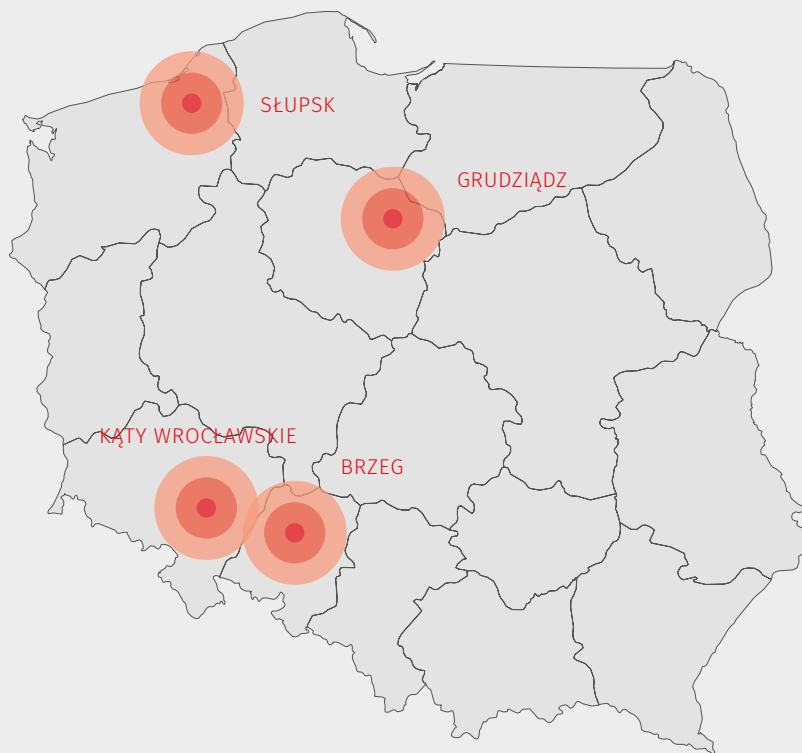
UNIA Sp. z o.o. is a Polish manufacturer offering the largest complex range of agricultural products in Europe.

We own 4 modern factories, equipped with world-class production equipment. Our history and knowledge dates back to almost 140 years. First cultivator and reversible plough in the world were produced in our factory.

Our products, through specialized distributors, reach farmers in more than 60 countries of the world, on every continent.

Thanks to this knowledge, we offer our customers not only modern machines, but also the best agronomic solutions used in the world's most demanding markets.

We offer a complex range of agricultural equipment: ploughs and cultivators, seeding equipment and combination seed drills, spreaders, balers and bale wrappers, sprayers, potato harvesters as well as grain storage technology.



**4**

FACTORIES

**11,5 ha**

PRODUCTION  
AREA

**1200**

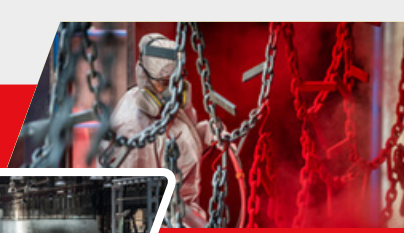
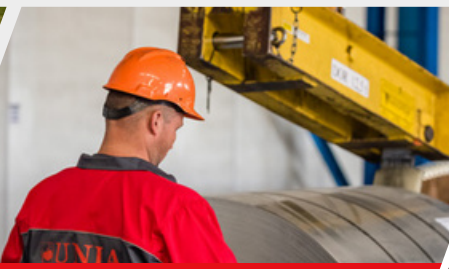
EMPLOYEES

**700**

ITEMS  
IN OFFER

**60**

MARKETS

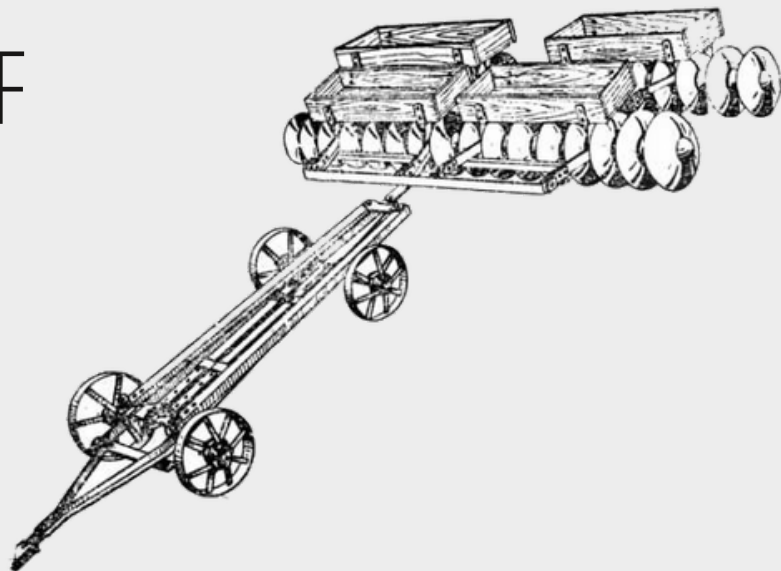


# OVER 70 YEARS OF EXPERIENCE

## IN THE DISC HARROWS

### MANUFACTURING

The design of the first Polish disc harrow adapted to aggregation with a tractor was developed by the designers of Fabryka Narzędzi Rolniczych in Grudziądz in 1949. The model was marked as ŁBD-4.5 and had a working width of 4.5 m.





## Innovative ARES

The year 2002 was the time when the ARES parallel disc harrows were introduced to production. UNIA was the first manufacturer in this part of Europe that started the production of a multi-purpose aggregate. The machine has introduced a new standard for stubble cultivation. It gained additional recognition thanks to the innovative concept of connection with a seeder, farmers were given the opportunity to create cultivating and sowing units for the first time.



# PERFECTLY DESIGNED CONSTRUCTION

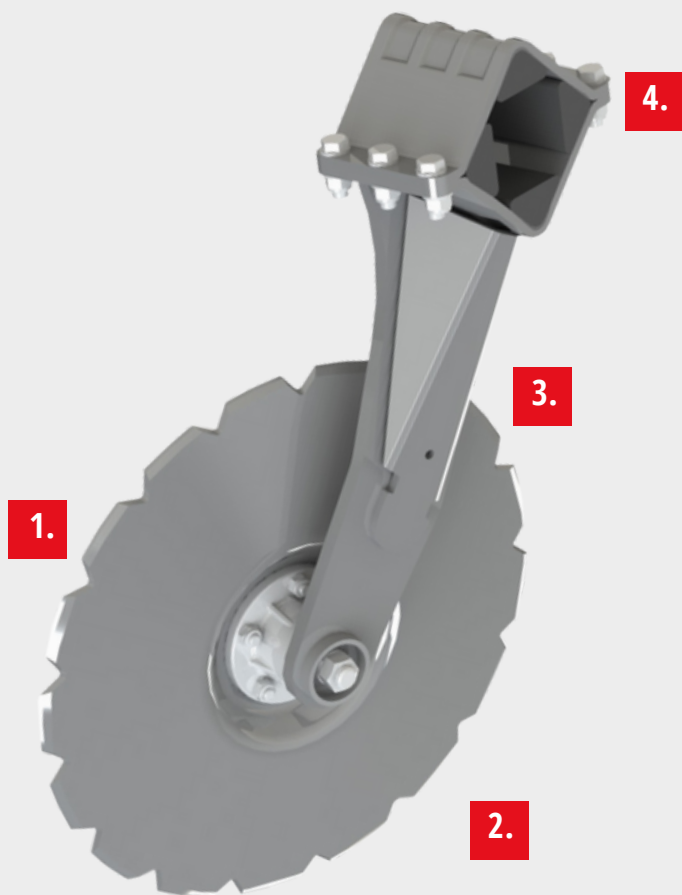
The ARES series consists of six models of compact disc harrows adapted to work on any farm.

The smallest one has 2.5 meters and the largest 12 meters of working width. Proven design and the possibility of configuration of working elements meet the farmers' requirements.





# PERFECTLY DESIGNED WORKING ELEMENTS



## 1. UNION DISC CUTTERS

Made of high-quality Swedish SSAB boron steel. The unique manufacturing process guarantees high durability, each plate is individually hardened. The cutters are evenly hardened and have exactly the same shape. All this translates into high durability in field conditions.

## 2. MAINTENANCE-FREE HUBS

They combine high strength, necessary for working in the field, and a compact design that does not obstruct the soil flow. They are attached to the plough standard with one screw. Lock openings ensure a permanent connection and facilitate service work. The hub nut is protected by a ring.

## 3. DISC FIXING SYSTEM



One plough standard holds one disc, which facilitates penetration of the cutters in the soil, maintaining the working depth and following the terrain. The profile of the plough standard corresponds to the shape of the disc and is made of HARDOX steel.

## 4. RUBBER SHOCK ABSORBERS

The triangular shape maintains a larger contact area with the beam and the disc mounting assembly. The cutters retain the same depth and the vibrating working elements do not transmit vibrations to the machine. The used mixture is of high quality and retains its parameters regardless of the temperature at which the work is performed.



# DISC CUTTERS

Depending on the selected model of the ARES disc harrow, disc cutters are available in three different diameters: 510, 560 and 660 millimetres.

CLASSIC discs with small cut-outs around the perimeter are perfect for shallow stubble cultivation and for preparing the field for sowing. Small notches allow for intensive cultivation with shallow working depth..

AGRESSIVE discs are adapted to work with more harvest residues, on heavier soils. The elliptical shape and deep notches with sharpened edges allow to cut and mix large amounts of stubble residues and catch crops.

**CLASSIC**



**AGRESSIVE**



# TX PROTECTION

Heavy disc harrows such as ARES ROLLER UP, P and HP can be equipped with spring protection for each of the discs.

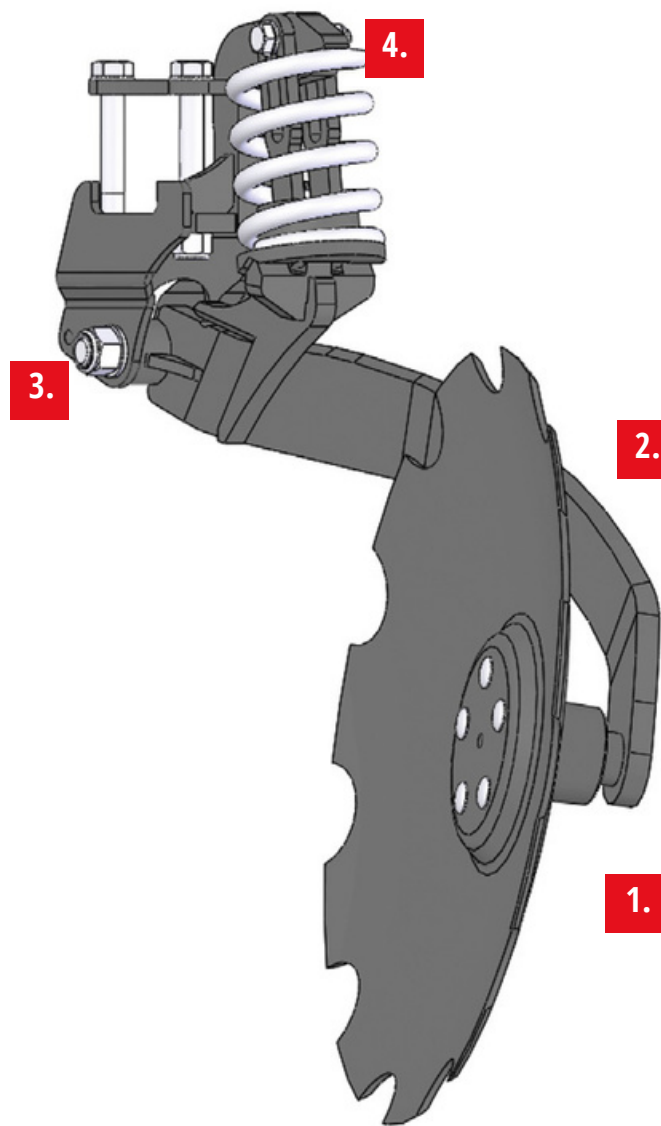
This allows to work on heavily stony fields. The discs used in the TX system have a diameter of 660 mm, which allows them to work in conditions with a large amount of stubble residues.

The TX protection is available on the ARES ROLLER UP, ARES P and ARES HP disc harrows.

- 1. AGGRESSIVE APPROACH ANGLE**
- 2. THE SHAPE OF A PLOUGH STANDARD IN THE SHAPE OF A DISC CUTTER**
- 3. PLOUGH STANDARDS FITTED ON HARDENED SLIDE BUSHES**
- 4. PRE-CHARGED SPRING WITH LIMITER**

## ADVANTAGES OF THE TX SYSTEM

- The working depth is maintained even on harder ground.
- The disc release force is 450 kg
- The discs are always guided with great accuracy.
- Optimum pressure on the individual discs, precise adherence to the working position and constant triggering force.
- Maintenance-free replaceable bearings



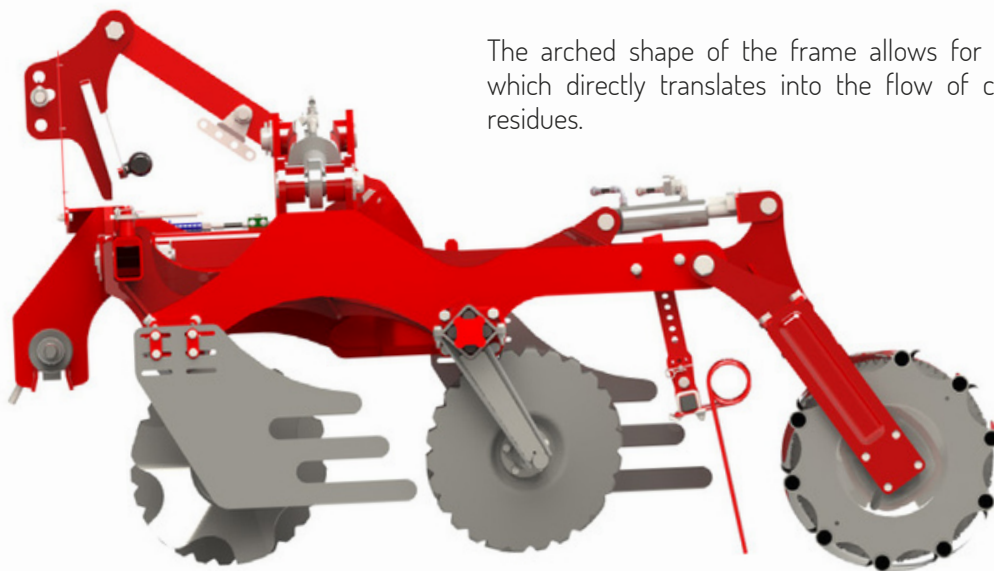
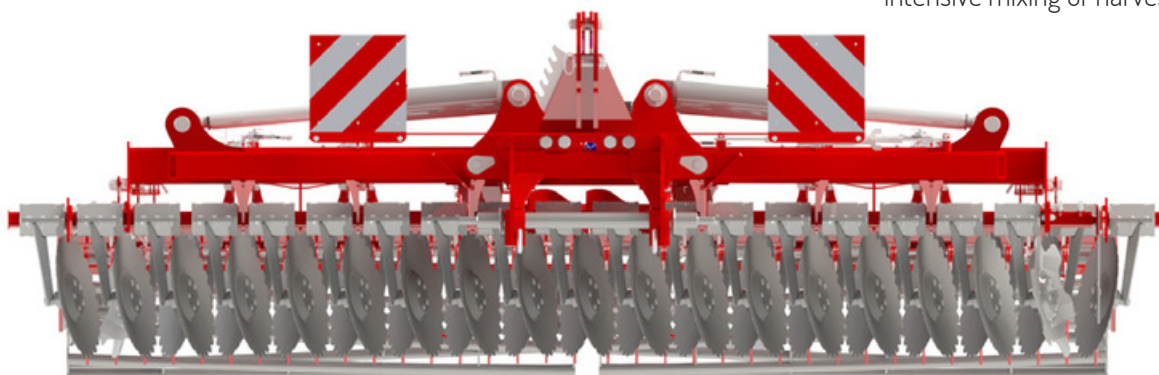




# EFFECTIVE LAYOUT OF WORKING ELEMENTS

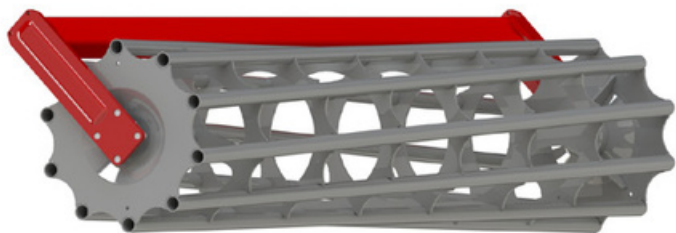
## Unique approach angle of disc cutters.

The unique approach angle of the discs ensures full undercutting during stubble cultivation and intensive mixing of harvest residues with the soil.



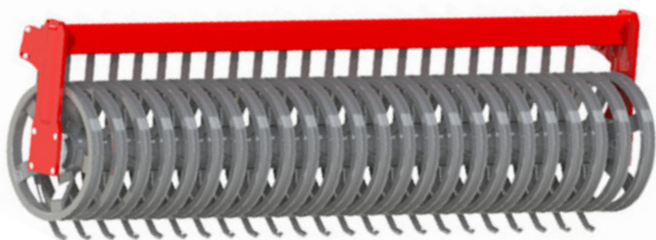
The arched shape of the frame allows for high ground clearance, which directly translates into the flow of cultivated soil and crop residues.





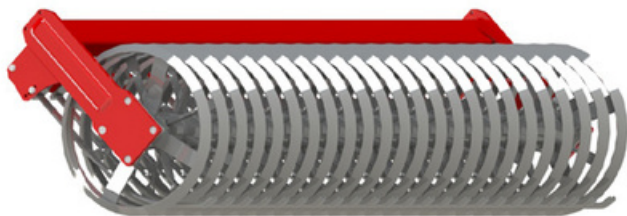
### TUBE ROLLER

- It compacts light and medium soils best, while its low weight does not guarantee adequate compaction of heavy soils.
- It consolidates the top layer to a small depth.
- Its biggest advantage is the large contact surface with the soil, thanks to which the machine does not sink excessively and maintains the desired depth on light soils.



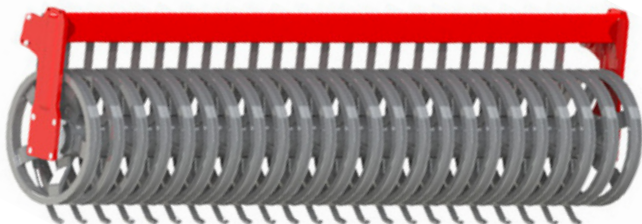
### U- PROFILE ROLLER

- The U-profile rings fill with soil when working on clay soil, which prevents the formation of a crust on the field surface.
- On sandy ground, the large support surface of the U-profile allows to maintain the set working depth of the machine.
- The roller consolidates the soil in strips to an average depth.
- It is equipped with cleaning strips as standard.



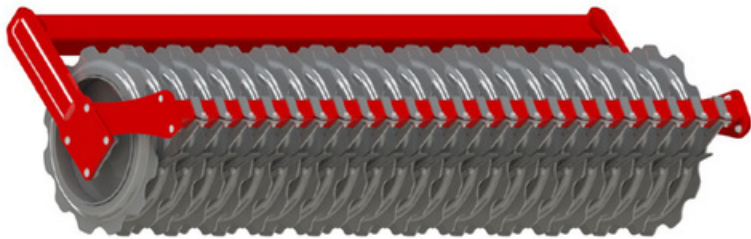
### V-RING ROLLER (SPIRAL)

- The v-ring roller works best on heavy and compact soils.
- The structure made of V-shaped rings is great for crumbling of the clods of soil.
- The roller acts in stripes on the deeper layers of soil.
- Standard equipped with anti-clogging strips.



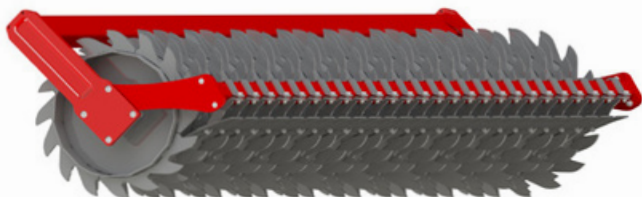
### T- PROFILE ROLLER

- It has good crushing properties and maintains the lumpy structure of the soil.
- It makes the decomposition of crop residues easier.
- It compacts the soil deeply.
- Standard equipped with anti-clogging strips.



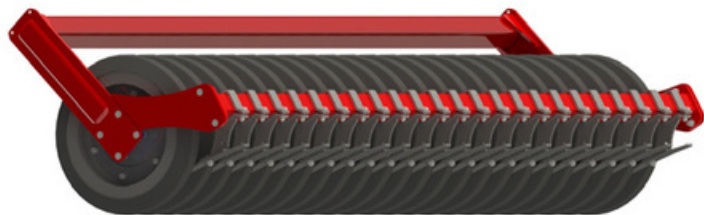
### TIN ROLLER

- This is a heavy roller that provides strip consolidation.
- It improves the conditions of water and gas exchange in the soil.
- It crumbles and accelerates the decomposition of organic matter.
- Standard equipped with adjustable scrapers that can be turned inside out



### PACKER ROLLER

- The large support surface allows for work on lighter soils. It has good crushing properties.
- It creates an excellent seedbed.
- Equipped with adjustable scrapers.



### RUBBER ROLLER

- Consolidates the soil in strips, causing good soil soaking where the rubber rings work.
- It works perfectly in combination with a seeder, the seeds that hit the pit germinate quickly.
- Suitable for all types of soil.
- It is equipped with a set of scrapers as standard.

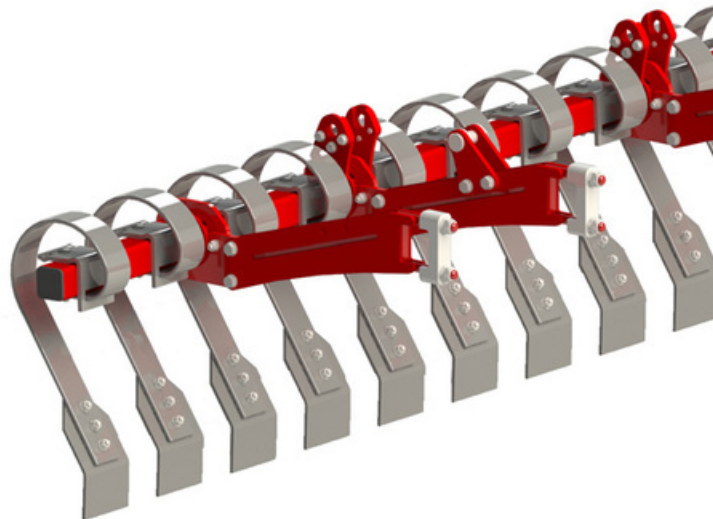


### SYSTEM DRIVE

- The roller compacts the soil in strips corresponding to the width of the tires.
- Due to the use of tires with agricultural tread, there is no problem of clogging, so it can be successfully used on all types of soil.
- The wheels are mounted in pairs, which greatly facilitates any repairs.

# FRONT MOUNTED ATTACHMENTS

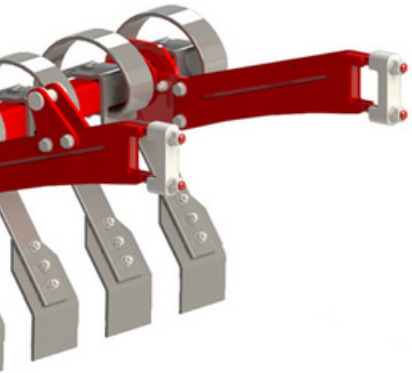
Additional options for semi-trailed harrows



## **SUPPORT WHEELS**

They are optional accessories for all semi-trailed ARES harrows. The wheels maintain the working depth, provide better ground following and stabilize the machine during operation.





## HYDRAULICALLY CONTROLLED LEVELING BAR

It works great in pre-sowing cultivation. The 150 mm wide plates mounted on springs crush larger clods of soil. The working depth is adjusted from the tractor cabin with the use of hydraulic cylinders.

The dragline can be fitted to the ARES L (semi-mounted and DRIVE versions),

ARES

XL and ARES XM models.



ARES XL

ARES XL

A



ARES XL

ARES XL

A



ARES

XM

ARES HP

# FP SEED DRILL

UNIA disc harrows (except ARES ROLLER UP) can be equipped with a FP precision seeder for catch crops, during cultivation, plants with small and coarse seeds can be sown. UNIA FP allows to reduce the number of passes on the field.

FP seed drills work in the range of 5 - 350 kilograms per hectare.



▲  
**FP 250**

**FP 550**





# ARES HP

Heavy disc harrow with a hydraulically folding frame. High weight allows for effective work in conditions of large quantities of organic matter. The distance between the rows of discs is 120 centimetres. Such a large distance ensures adequate flow of any amount of organic matter.





Two lifting cylinders for the machine

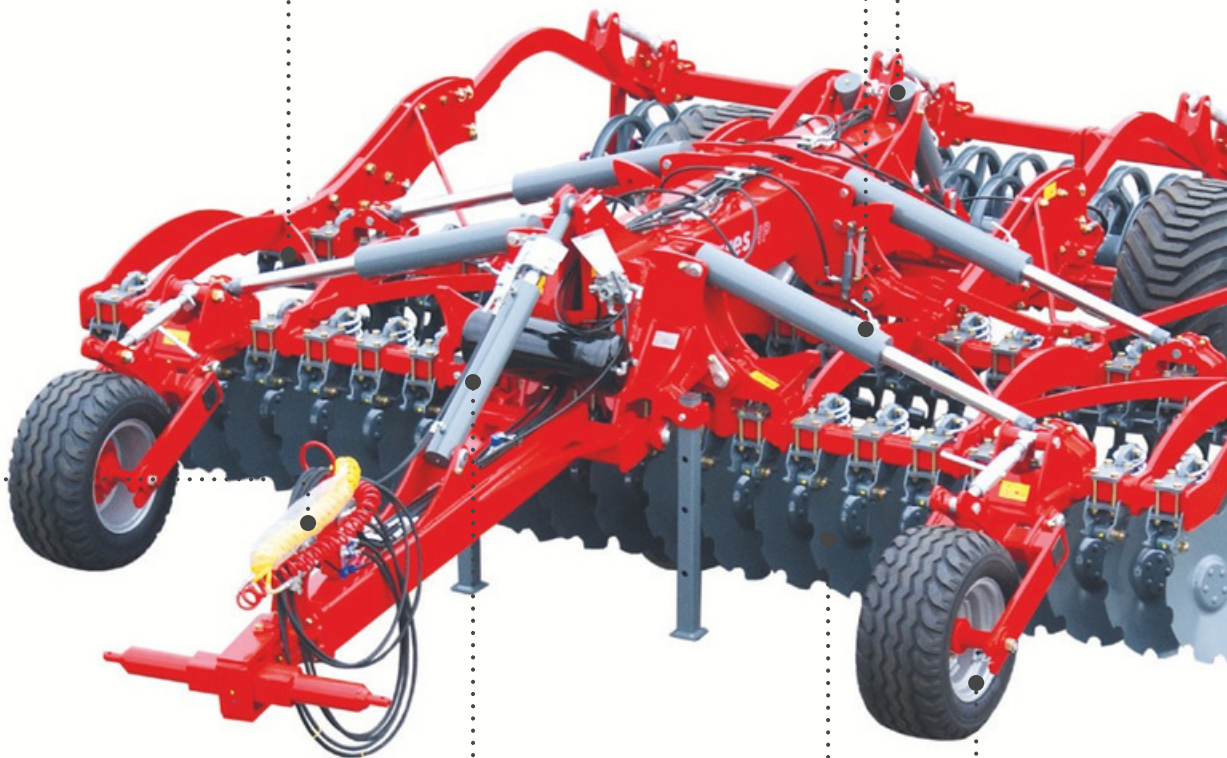
Hydraulic transport lock

Four cylinders for folding the machine

Holder for hydraulic hoses

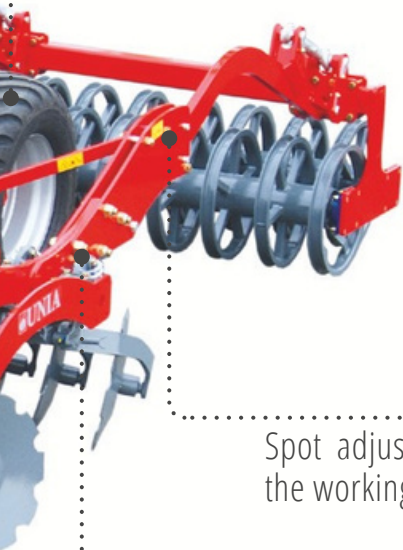
Hydraulically leveled drawbar

CLASSIC or AGRSSIVE discs



# ARES HP

550/45-22.5 tires



Spot adjustment of the working depth

Triangular rubber shock absorbers or TX protection

340/55-16 support wheels

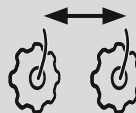
## TECHNICAL DATA



170 – 230 <sup>KW</sup>  
power demand



4 / 5 / 6 / 8 m  
working width



105 cm (XXL, TX)  
spacing between rows of discs



ø 660/6 mm  
disc diameter – XXL, TX



MAX 18 cm  
max. working depth

ARES HP	4	5
Weight XL [kg]	5 560	6 160
Weight XXL [kg]	5 660	6 260
Weight TX [kg]	6 120	6 700
Power demand [HP]	170÷220	220÷230
No. of discs [pc.]	32	40
Spacing between rows of discs [cm]	120	120

ARES HP	6	8
Weight XL [kg]	2 850	3 220
Weight XXL [kg]	3 080	3 500
Weight TX [kg]		
Power demand [HP]	130÷150	135÷160
No. of discs [pc.]	24	28
Spacing between rows of discs [cm]	120	120



**UNIA Sp. z o.o.**

ul. Szosa Toruńska 32/38, 86-300 GRUDZIĄDZ  
 uprawa@uniamachines.com