




ENGLISH

TRACTOR RANGE


McCORMICK
Power Technology.

A SINGLE APP TO CONTROL YOUR ENTIRE FLEET



The **McCormick Fleet Management App** allows farmers to control their fleet of McCormick tractors in a simple manner directly from their smartphone. Keeping track of working times and statistics has never been so easy: the app features an intuitive interface that will allow users to check all functions at any time of the day and from any place. The McCormick Fleet Management App collects and analyses data useful for planning waste-reduction actions as well as for increasing productivity and profitability.



TELEMETRY

Users can locate their vehicles, check whether a tractor is running, display average consumptions, check working hours, view the vehicle performance rating and display a number of other parameters useful to make fact-based decisions.

GEOFENCE

Geofence is a useful innovative function that allows users to create virtual fences to delimit areas to be worked. Convenient notifications will alert the user when a vehicle enters or exits the delimited zone.

HELPDESK

The Helpdesk icon present on the McCormick Fleet Management App gives access to simple tutorial videos with additional information and materials designed to increase the skills of the McCormick tractor operators, thus extending their professional expertise.

FARM DIARY

Farm Diary is a new function that allows users to view historical data of all the activities carried out for the management of specific crops or parcels of land. This enables farmers to compare performance to help them choose the best operating strategies.

SCHEDULED MAINTENANCE

The McCormick Fleet Management App allows users to schedule maintenance operations and set a reminder for the approaching deadline. This ensures that the company fleet is always in good working order.

SERVICE

The dealer receives the information necessary to carry out the service work required directly from the McCormick Fleet Management App. This ensures maximum efficiency of the fleet while reducing service times to a minimum.





McCORMICK PLAYS A KEY ROLE IN AGRICULTURE 4.0

Technological innovation improves working conditions, increases productivity and supports the environment. Following this philosophy, McCormick has prepared its tractors for precision farming strategies and fleet management monitoring. These applications offer a number of benefits: the satellite guidance system provides unequalled steering accuracy; the ISObus system ensures efficient control of implement activities, including fully automated tasks; telemetry systems enable users to monitor fleet activity and analyse machine performance data; remote diagnostics allows machine issues to be remotely diagnosed. McCormick responds to customers' needs by offering more efficiency and profitability while improving simplicity, safety and comfort.

PRECISION STEERING MANAGEMENT FOR PRECISION PERFORMANCE



Precision farming as a concept has been in existence ever since man started to cultivate land. Today, thanks to technological development, precision farming is carried out with innovative tools that improve efficiency and increase productivity. McCormick uses the innovative PSM (Precision Steering Management) system, a set of integrated devices for satellite-assisted guidance that can be managed from the tractor cab via a simple touch screen display. The precise steering control delivers pass-to-pass accuracy levels down to an impressive 2 cm. This results in improved efficiency and productivity, greater time savings, reduced operating costs and lower environmental impact.

ISOBUS & ISOBUS GREEN MAKE YOUR WORK SIMPLE AND EFFICIENT

In 2015, Argo Tractors received the AEF ISOBUS certification. The ISObus system is the standard protocol through which the on-board computer communicates with the tractor and implements. All ISObus-compatible implements are managed via a DSM 12" touch screen monitor to improve operating efficiency and productivity.

McCormick is a leading participant in the innovative 'ISObus Green' project. This project allows farmers to retrofit their mechanical implements with the technology so as to connect them to the tractor's ISObus system.





PRECISION STEERING MANAGEMENT & ISOBUS BRING BENEFITS TO THE FIELD



The Precision Steering Management and the ISObus system are some of the technologies adopted by McCormick to increase efficiency and productivity while improving comfort and safety:

- › All implement activities, including fully automated tasks, are managed with a high level of precision.
- › The driver must constantly monitor the implement while driving the tractor: the Advanced Driving System (ADS), the new assisted driving system from McCormick, enables the driver to fully concentrate on the task at hand.
- › The driving assist system calculates the fastest and most efficient route. The automatic steering makes tight manoeuvring easier.
- › Reducing the travelled distance in the field reduces tractor and implement wear and tear while saving fuel.
- › The use of variable rate application eliminates skips and overlaps, minimizing product waste. Variable rate technology reduces overuse of water, seed use by 10%, fertilizer use by 16% and herbicide use by up to 60%.
- › Chemical residues are also reduced with significant benefits for the environment.
- › Report and pre-setting operations are simpler and can be conveniently done from home. This eliminates the need for expert operators.

McCORMICK FLEET MANAGEMENT HELPS FARMERS GROW PROFITS

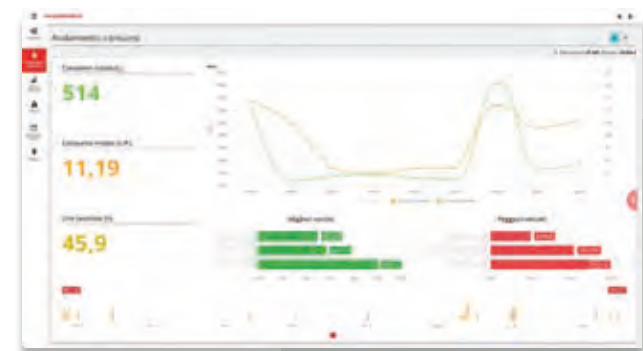
As a company traditionally committed to innovation, McCormick now equips all its tractors with remote management and diagnostic capability. The McCormick Fleet Management system helps farmers to make data-driven decisions; this reduces operating costs while increasing efficiency and productivity. This advanced solution is based upon four key elements:

1. Real-time fleet monitoring: the system displays the exact location of each tractor in a fleet and monitors its efficiency by checking parameters like speed, engine performance, average consumption and work progress.

2. Data analysis: the system calculates the cost, efficiency and productivity of each tractor and determines the farm's profit margin. These data are essential to make forecasts and organise work plans.

3. Remote diagnostics and maintenance: our after-sales service responds and intervenes in real time in order to adopt the best solutions and to improve tractor performance. This reduces downtime and extends equipment life.

4. Storage of working data: the system outlines the work areas and saves the activity data for further use. This eliminates errors and maximizes efficiency. Designed to effectively respond to customers' needs, the McCormick Fleet Management helps farmers to make the most appropriate choices in order to maintain their tractors in good working order, optimize their work and increase their business profitability.





A RANGE OF TRACTORS TO SUIT EVERY NEED



OPEN FIELD TRACTORS

X8 VT-DRIVE	14
X7.6	16
X7 SWB	18
X6.4	20

UTILITY TRACTORS

X5	24
X5.085	26
X4	28

CRAWLER TRACTORS

TX4	32
-----	----

SPECIALTY TRACTORS

X5 HC	36
X4F CAB	38
X4F PLAT	40
X3	42
X2	44



McCORMICK OPEN FIELD TRACTORS: BEST-IN-CLASS TECHNOLOGY

Future

For farmers looking for cutting-edge technology, real power and uncompromising performance, McCormick open field tractors are a leap into the future. These tractors are powerful because they use all the horsepower available from the engine. And they are also technologically advanced, as they feature state-of-the-art solutions that deliver best-in-class performance. Rugged, reliable, precise and comfortable, McCormick open field tractors are trusted partners that will ensure maximum productivity in the field.

Comfort

The cab of the McCormick open field tractors is designed to meet the highest operating and driving standards. The interior features a high-quality automotive-grade fit and finish, the dashboard and the steering column are adjustable in height and tilt, the driver's seat is designed to offer maximum comfort under all operating conditions, and the climate control system maintains optimal temperature inside the cab all year round. Based on advanced ergonomic studies, all controls are logically arranged and intuitive to use for maximum convenience and ease of operation. Built to deliver outstanding comfort and total reliability, McCormick tractors allow users to be up and running in no time, helping farmers minimise downtime and maximise their productivity.

Customization

McCormick places the needs of modern agriculture at the core of design. At McCormick, they know that different farms have different needs, so every farm requires custom-built farm machinery. McCormick open field tractors are highly configurable so as to offer every farmer only what they need, thereby eliminating unnecessary costs. Choosing McCormick means having useful and intuitive cutting-edge technologies at your fingertips. A tailor-made equipment package that will meet your requirements while improving field operations.

McCORMICK X8 VT-DRIVE, TECHNOLOGY AT FULL THROTTLE



HIGHLIGHTS

- › Four-post cab with semi-active suspension system.
- › 12-inch touch screen monitor with new menus to manage performance and comfort.
- › Multifunctional armrest with ergonomic joystick and integrated controls.
- › FPT NEF 67 engine located within a cast-iron chassis for enhanced performance.
- › eVGT electronically-controlled variable-geometry turbocharger.
- › Stage V emissions control technology with Hi-SCR/DOC system.
- › VT-Drive four-stage continuously variable transmission.
- › Closed-centre hydraulic system with variable-displacement pump up to 212 l/min.
- › ISObus & PSM Precision Steering Management.
- › McCormick Fleet & Remote Diagnostic Management.
- › Best In Class system: 1000 hour maintenance intervals to save on time and cost.
- › Coolers open out to allow easier and faster cleaning.

The innovative **X8** tractor range from McCormick is designed to meet the exacting needs of large farms and agricultural contractors. The new Premiere cab offers the operator a spacious and comfortable working environment with high-grade, automotive-style fit and finish and easy-to-use instruments. The multifunction armrest houses an ergonomic joystick with integrated controls and a 12-inch touch screen monitor with simple tablet-like graphics. New menus allow the complete management of the vehicle. Up to 20 latest-generation LED work lights fitted on the bonnet, cab and fenders provide daylight illumination for night work, while two rearview cameras give the driver unobstructed visibility behind the vehicle. The **X8** tractors are powered by the new FPT NEF 67 6.7L, 24-valve, 6-cylinder engines with turbocharger and common rail injection system. Delivering power ratings of up to 310 hp, these engines meet Stage V emission regulations and are located within a rugged chassis with shock absorbing rubber mounts which helps reduce noise and vibration levels within the cab and transfer all the power to the ground, thereby improving performance. The **X8** is equipped with the innovative VT-Drive four-stage continuously variable transmission. A high-flow hydraulic system provides a maximum total flow of 212 l/min and supplies 140 l/min to operate up to eleven electrohydraulic remote valves. Choosing McCormick means you can count on a partner that will offer industry-leading technology combined with uncompromising performance and reliability.

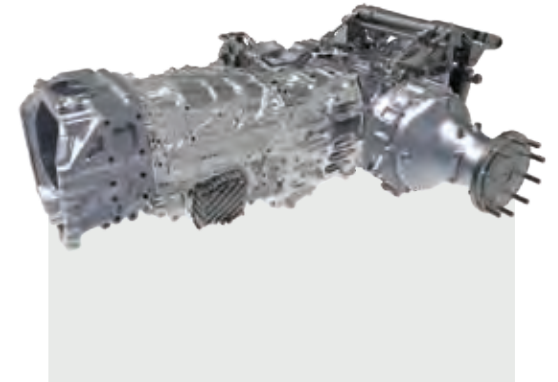
SEMI-ACTIVE CAB SUSPENSION

Cab Suspension, the innovative semi-active cab suspension system from McCormick isolates the tractor body from wheel vibrations induced by uneven ground conditions, ensuring comfort and safety on all terrains. The semi-active cab suspension can be specified with three different shock absorbing levels for easier tractor management and enhanced operator comfort.



VT-DRIVE FOUR-STAGE TRANSMISSION

The VT-Drive four-stage continuously variable transmission steps into the future with a technology capable of increasing speed ranges from two to four. This provides real benefits in terms of fast acceleration, smooth driving, fuel economy and efficiency.



12-INCH TOUCH SCREEN MONITOR WITH NEW MENUS

Thanks to its user-friendly tablet-like graphic interface, the large 12-inch DSM touch screen monitor allows easy management of all tractor functions and simple, intuitive control of implements for maximum operator comfort.



McCORMICK X7.6, EFFICIENCY AT ITS VERY BEST



The **X7.6** range leads the open field tractor market for efficiency, performance, flexibility and comfort. Spacious and perfectly sound-insulated, the Premiere cab offers automotive-style fit and finish, a ventilated air suspension seat, adjustable steering wheel and instrument panel, a multifunction controller, a 12" touch screen monitor with new functions, automatic climate control, a transparent roof hatch and up to 12 LED work lights for perfect all-round visibility. Cab Suspension, McCormick's semi-active cab suspension system, absorbs vibrations caused by uneven ground, while reducing in-cab noise. The front axle suspension further dampens impacts on rough ground, maximising the ride comfort. The **X7.6** is powered by new FPT NEF 67 engines with up to 240 hp located within a rugged chassis with shock absorbing rubber mounts which reduces shocks and vibrations, while improving tractive performance. The **X7.6** tractors come with a choice of two transmissions: a VT-Drive four-stage continuously variable transmission with four planetary gear trains, and a P6-Drive transmission with five ranges and a six-speed on-the-go PowerShift providing 30 FWD + 15 REV speeds. A creep speed option increases speeds up to 54 FWD and 27 REV. The hydraulic system features a high-flow pump that provides a total flow of 160 l/min ensuring efficient implement operation. Choosing McCormick means choosing a partner capable of providing advanced technology combined with uncompromising reliability and performance.

HIGHLIGHTS

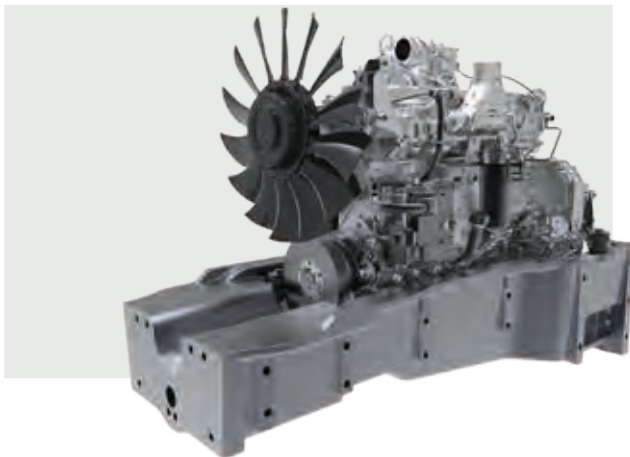
- › FPT NEF 67 engine located within a rugged chassis for improved performance.
- › HI-eSCR2 emissions control system meeting Stage V emission regulations.
- › Best in Class system: 1000 hour maintenance intervals to save on time and costs.
- › Coolers open out to allow easier and faster cleaning.
- › VT-Drive 4-stage continuously variable transmission.

- › P6-Drive transmission with 6 PowerShift speeds and 5 robotized ranges.
- › Closed-centre hydraulic system with up to 160 l/min variable displacement pump.
- › Premiere Cab with 4-post design and semi-active suspension system.
- › Front axle with independent suspension.
- › Two trim levels: Efficient, with mechanical remote

- › valves; Premium, with multifunction armrest and electrohydraulic remotes.
- › DSM Data Screen Manager: 12" touch screen monitor with new functions.
- › ISObus & PSM Precision Steering Management.
- › McCormick Fleet & Remote Diagnostic Management.

NEW FPT NEF ENGINES: PLENTY OF PULLING POWER IN THE FIELD

The FPT NEF 6.7L, 24-valve, 6-cylinder turbo engines with common rail injection system deliver power ratings of up to 240 hp and meet Stage V emission regulations. The engines are located within a rugged chassis with shock absorbing rubber mounts which helps reduce noise and vibration levels within the cab and transfers all the power to the ground maximising tractive performance.



VT-DRIVE AND P6-DRIVE TRANSMISSIONS

The VT-Drive four-stage continuously variable transmission delivers fast acceleration and excellent responsiveness. The P6-Drive transmission with six PowerShift speeds and five ranges provides 30 FWD + 15 REV speeds and up to 54 FWD + 27 REV speeds with creeper, resulting in smooth driving, high performance and optimal fuel efficiency.



ON-BOARD TECHNOLOGY

The name McCormick stands for Power Technology. The X7.6 LWB comes loaded with cutting-edge features: 12" touch screen monitor with innovative functions, ISObus system for communicating with tractor and implements, PSM system for precise satellite guidance, Fleet Management for monitoring your fleet in real time.



McCORMICK X7 SWB, WHEN TECHNOLOGY TURNS INTO EFFICIENCY



Designed to provide efficiency, manoeuvrability, performance and comfort in open field applications, the **X7 SWB** range comprises self-supporting four- and six-cylinder engines. The Premiere cab offers automotive-grade fit and finish, ergonomically-arranged controls, 12" touchscreen monitor with new functions and up to 12 LED lights on cab roof. Equipped with either a mechanical or semi-active suspension system, the cab absorbs impacts and vibrations. The front axle with independent suspension further increases traction, safety and comfort. The newly-designed, 90-degree tilt bonnet and the radiator coolers opening from a single latch make maintenance faster and easier. The **X7 SWB** tractors are powered by new Stage V FPT NEF 67 6.7-litre, 24-valve, six-cylinder engines and Stage V FPT NEF 45 4.5-litre, 16-valve, four-cylinder engines. Both engines offer power ratings of up to 175 hp. Wheelbase is 2760 mm on six-cylinder tractors and 2651 mm on four-cylinders. The **X7 SWB** tractor range offers a choice of two transmissions: a VT-Drive four-stage continuously variable transmission and a P6-Drive transmission with a six-speed on-the-go PowerShift and five speed ranges that provides 30 FWD + 15 REV speeds. With the creeper the number of speeds is 54 FWD and 27 REV. The tractor features a powerful four-speed PTO and a front hitch capable of lifting up to 3500 kg. The electronically-controlled rear hitch offers a maximum lift capacity of 9300 kg. The CCLS hydraulic system with up to 160 l/min pump operates up to eight remote valves. The **X7 SWB** can be equipped with satellite-based guidance system, ISObus system and McCormick Fleet & Remote Diagnostic Management to increase productivity and profitability while reducing operating costs.

HIGHLIGHTS

- › FPT NEF 45 and 67 engines with Stage V HI-eSCR2 emissions control system.
- › VT-Drive 4-stage continuously variable transmission.
- › P6-Drive transmission with 6 PowerShift speeds and 5 robotized ranges.
- › CCLS hydraulic system with variable displacement pump delivering up to 160 l/min.
- › Mechanical or electrohydraulic remote valves.
- › Mechanical or semi-active cab suspension.
- › Front axle with independent suspension.
- › DSM Data Screen Manager: 12" touch screen monitor with new functions.
- › McCormick Fleet & Remote Diagnostic Management.

NEW FPT NEF ENGINES FOR AMAZING EFFICIENCY

The **X7 SWB** tractors are powered by new Stage V FPT NEF 45 4.5-litre, 16-valve, 4 cylinder engines and Stage V FPT NEF 67 6.7-litre, 24-valve, 6 cylinder engines. All engines are turbocharged with intercooler and electronic common rail injection system and have maximum power ratings of 175 hp. The self-supporting engine and the short wheelbase enhance the manoeuvrability and efficiency of the **X7 SWB**.



A FLOW DIVERTER TO GIVE YOU MORE HYDRAULIC FUNCTIONS

An optional flow diverter with six quick-connect fittings controls three different hydraulic functions through a flow selector using a single remote valve: with five remotes and one flow diverter you control up to seven different hydraulic functions.



McCORMICK M50 FRONT LOADER

Controlled by an electronic joystick, the sturdy M50 front loader provides smooth, flawless operation. The M50 is the perfect match for your X7 SWB tractor. Front loader and tractor together offer an unrivalled combination that will provide superior comfort and productivity.



McCORMICK X6.4, VERSATILITY IN THE FIELD



HIGHLIGHTS

- › New FPT NEF 45 Stage V engine delivering up to 155 hp.
- › P6-Drive transmission with 6 powershift speeds and 4 ranges.
- › IFS suspended front axle and suspended cab.
- › New SmartPilot all-in-one joystick controller.
- › Closed-centre hydraulic system (CCLS) with up to 114 l/min flow rate.
- › High Visibility cab with panoramic roof with see-through hatch and FOPS protection.
- › ISObus & PSM - Precision Steering Management.
- › McCormick Fleet & Remote Diagnostic Management.
- › Front hitch and PTO.
- › Max tyre size: 600/65R38. Gross vehicle weight: 9500 kg.

Designed with efficiency, versatility and comfort in mind, the **X6.4** is a true do-it-all tractor that will handle a variety of tasks both in the field and around the farmstead. Ideal for sowing, ploughing, harrowing and haymaking, this handy tractor is equally perfect for use inside barns and stables as well as for front loader and transport operations. The high-visibility cab features a high-quality fit and finish, ergonomic controls, a SmartPilot all-in-one controller, a 12-inch touch screen monitor with new menus and 14 full-LED lights for optimum visibility in any working conditions. The independent front suspension combined with the cab suspension ensures maximum traction and ride comfort on all terrains. The newly-designed bonnet opens to 90 degrees to provide easy access to the engine compartment for fast service and maintenance and the radiator coolers open fully from a single latch to provide easy cleaning in dusty conditions.

The **X6.4** tractors are powered by new FPT NEF 45 4.5L, 16-valve, 4-cylinder engines that meet Stage V emissions regulations and deliver up to 155 hp. The P6-Drive transmission offers 6 powershift speeds and 4 ranges providing 24 forward + 24 reverse gears. Other features include a 4-speed PTO, front hitch with 3200 kg lifting capacity, electronic rear hitch with 7200 kg lifting capacity, CCLS hydraulic system with a total flow of 114 l/min and up to seven remote valves. To reduce operating costs while increasing productivity and profitability, the **X6.4** is further equipped with advanced systems such as the PSM satellite-based guidance system, ISObus communication system and McCormick Fleet & Remote Diagnostic Management system.

HIGH VISIBILITY CAB FOR ALL-ROUND VIEW

Better visibility means greater efficiency and added comfort. The High Visibility cab with see-through sunroof and FOPS protection provides unequalled all-round view for haymaking and front loader applications.



P6-DRIVE: NEXT-GENERATION PERFORMANCE

Designed to further enhance the tractor performance, the P6-Drive transmission offers 6 powershift speeds and 4 ranges providing 24FWD + 24REV gears. With additional creeper speeds, the transmission provides a total of 40FWD + 40REV gears. With the P6-Drive transmission, the tractor reaches 50 km/h at reduced engine speed.



SMARTPILOT JOYSTICK CONTROLLER TO KEEP EVERYTHING UNDER CONTROL

Integrated into the ergonomic multifunction armrest, the innovative SmartPilot controller provides easy and intuitive control of key tractor functions such as the powershift transmission, reverse shuttle, hydraulics, front hitch, rear hitch and front loader.





McCORMICK UTILITY TRACTORS: SMART VERSATILITY

Technology

Anyone who's driven one knows McCormick tractors are a worldwide benchmark for technology and performance, an industry-leading position that can only be achieved through careful design and continuous innovation. McCormick has built the same quality of its high-end tractors into the utility range. The result is a line of tractors fully loaded with the latest technology and features that will give farmers all the power and efficiency they need.

Flexibility

McCormick utility tractors are designed and manufactured to meet the flexibility needs of modern farms. These tractors are not derived from any existing models, but have been designed from the ground up based on the innovative solutions and proven performance that are our trademark. If you are looking for a tractor that provides all the versatility and efficiency required for ploughing, harrowing, mowing, haymaking, orchard work, transport and a variety of other tasks, than look no further: a McCormick utility tractor is what you need.

Quality

The quality of a utility tractor depends on its size. McCormick utility tractors are the ideal size. Large enough to provide the right amount of traction and stability required for open field and transport applications, yet sufficiently small to move easily between crop rows and within cattle sheds without difficult and time-consuming manoeuvres. But the quality of a utility tractor also depends on its equipment. McCormick utility tractors are fully equipped technologically advanced vehicles that will fit seamlessly into the customer's fleet. McCormick utility tractors know how to deliver uncompromising efficiency and comfort.

**McCORMICK X5, VERSATILITY
HAS NEVER BEEN SO COMFORTABLE**



HIGHLIGHTS

- › FPT F36 3.6L engine delivering up to 114 hp.
- › Suspended cab with air-suspension seat, ergonomic controls, automotive-grade fit and finish and low-profile roof.
- › Xtrashift transmission with three-stage HML Powershift.
- › Suspended front axle with brakes, full locking differential and electrohydraulic ally operated four-wheel drive.
- › Open-centre hydraulic system with 82 l/min pump.
- › Electronically-controlled rear hitch with up to 4500 kg lift capacity.
- › Front hitch and front PTO for added versatility.
- › ISObus system and Precision Steering Management.
- › McCormick Fleet & Remote Diagnostic Management.

The McCormick **X5** is a utility tractor capable of surprising. Offering the performance, comfort and versatility of a higher class tractor, the **X5** is ideally suited for field activities such as ploughing, tillage and harrowing, but is equally perfect for sowing and haymaking, barn work and transport operations. The **X5** features a suspended four-post cab with automotive-style fit and finish that provides full all-round visibility. A low-profile cab roof allows easy access to low-ceiling barns and sheds and a transparent roof hatch ensures extra visibility for front loader operation. An ergonomically-designed joystick provides convenient and precise control of all tractor functions and implements. The FPT 3.6L engine meets Stage V emissions regulations and delivers up to 114 hp. The **X5** tractor offers an Xtrashift transmission with three-stage HML powershift. The hydraulic system with 82 l/min pump ensures efficient operation of all hydraulic functions and up to six remote valves. The **X5** can be optionally equipped with a McCormick front loader; a front hitch and front PTO; a satellite-based guidance system for maximum working accuracy; an ISObus system for efficient implement control; a Fleet Management system that monitors your fleet, controls the data of each tractor and performs remote diagnostics. Efficient, versatile and comfortable, the **X5** is a valuable workmate you can always rely on.

SUSPENDED CAB AND SUSPENDED FRONT AXLE

The suspended cab and suspended front axle isolate the operator from shocks and vibrations creating a comfortable work environment that reduces operator stress and increases efficiency and productivity. A new, highly-efficient sound insulation system reduces the noise level inside the cab.



McCORMICK M20 FRONT LOADER

Specifically developed to fit the **X5** tractor, the McCormick M20 front loader enhances the tractor efficiency and productivity. Strong points of the M20 front loader include ease of installation and use, smooth operation and ride comfort, lift capacity up to 1800 kg.



FPT F36 ENGINES FOR GREATER EFFICIENCY

The **X5** tractors are powered by FPT F36 3.6-litre, 16-valve, 4-cylinder turbo engines with intercooler and common rail injection system. The three models in the range meet Stage V/ Tier 4 Final emissions regulations and deliver 95, 102 and 114 hp. The exhaust after-treatment system is tucked away under the bonnet to enhance operator visibility during work.





McCORMICK X5.085, A UTILITY TRACTOR IN A CLASS OF ITS OWN



HIGHLIGHTS

- › FPT F34 3.4L, 75-hp engine providing 375 Nm torque at 1400 rpm, without AdBlue.
- › Xtrashift transmission with HML three-stage powershift.
- › Front axle with brakes, full locking differential and electrohydraulic ally operated four-wheel drive.
- › Open-centre hydraulic system with dual pump: 56 l/min for remote valves and 32 l/min for steering.
- › Rear hitch with 3900 kg lift capacity. Front hitch with 1700 kg lift capacity.
- › Up to 34" rear tyres.
- › Designed specifically to match the **X5.085** model, the sturdy M15 front loader from McCormick enhances tractor versatility and productivity.

The **X5.085** is a really unique utility tractor. Designed with versatility and productivity in mind, the **X5.085** delivers up to 75 hp and meets the Stage V/Tier4 Final emission regulations using a urea-free exhaust after-treatment system. This solution reduces engine checks, resulting in lower costs and time saving. This amazing tractor is powered by a highly efficient FPT F34 engine with 3.4L displacement. With a best-in-class torque backup of 56%, the engine of the **X5.085** ensures outstanding traction and ease of operation on all terrains. The transmission is also available with HML three-stage powershift. The open-centre hydraulic system with dual pump delivers 56 l/min to the remote valves and 32 l/min to the steering system. Up to three rear-mounted and two mid-mounted remote valves and a flow divider that directs the flow from one remote to two separated outlets enable operator to control up to six different hydraulic functions. The **X5.085** features 34-inch tyres for better ground clearance and up to 10 LED work lights for best night visibility. This tractor delivers all the power required for soil preparation activities and with its optimum weight-to-power ratio is great for transport tasks on sloping terrain. It is also agile and compact enough for barn and stall work. The McCormick **X5.085** is the only tractor capable of combining the advantages of light tractors with the power of utility tractors.

STURDY AND NIMBLE FRONT AXLE

The **X5.085** features a compact, rigid front axle that enhances the tractor's compact size and agility. Sturdy and reliable, this axle will provide maximum stability and safety both in the field and on the road. With its high ground clearance and its 55° steering angle, the **X5.085** provides excellent manoeuvrability in any situation.



FPT F34 ENGINE: HIGH PERFORMANCE AND FUEL ECONOMY

FPT F34 3.4L engine with 375 Nm torque at 1400 rpm and up to 56% torque backup: it feels as if you have 15 hp more. Delivering 75 hp, this engine meets the Stage V/Tier4 Final emission regulations without using a urea-based after-treatment system, resulting in reduced operating costs.



XTRASHIFT ELECTROHYDRAULIC TRANSMISSION

The Xtrashift transmission with HML powershift provides 36FWD + 12REV speeds. The de-clutch button and the reverse power shuttle allow operator to shift through all gears and change from forward to reverse without using the clutch pedal. The shuttle response is electronically modulated and adjustable by the operator.





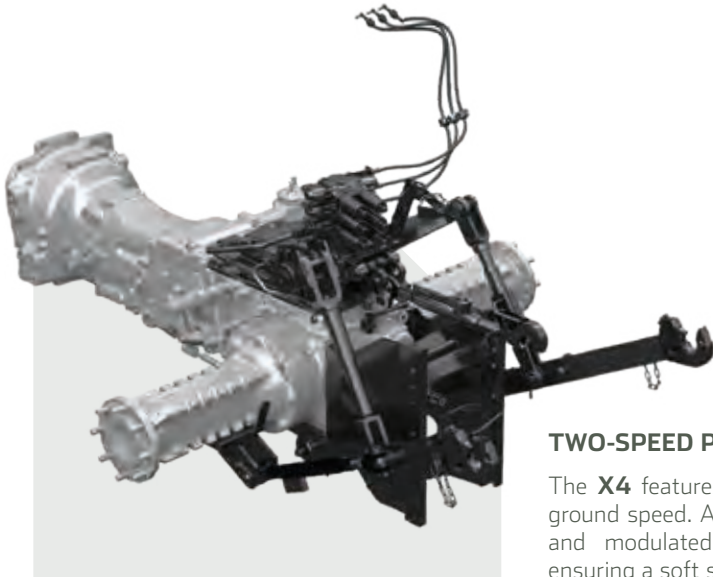
McCORMICK X4, YOUR DO-IT-ALL WORKMATE



The new **X4** light utility tractor from McCormick is a true efficiency champion, capable of handling any job on the farm. The **X4** is the ultimate do-it-all tractor for wide-row vineyards and orchards. Ideal for ploughing, tilling and harrowing small plots of land, this tractor is equally perfect for sowing and haymaking. Thanks to its compact size and excellent manoeuvrability, the **X4** moves easily in and out barns and stables and ensures safe operation on steep slopes and during transport applications. The comfortable Total View Slim cab borrows from the automotive industry. Main features include a low-profile roof with a transparent hatch for extra visibility, a flat floor and a highly-efficient climate control system. All controls are ergonomically designed for ease of use and allow intuitive control of the 12/12 power shuttle transmission and of the 24/24 synchro shuttle transmission with mechanical Hi-Lo. The **X4** tractor range comprises three models with power ratings of 61 hp, 68 hp and 75 hp. Key features of the **X4** include a specially-built transmission, a 4WD front axle with limited slip differential, a 2110 mm wheelbase, a mechanical rear hitch with up to 3000 kg lifting capacity, optional front hitch and PTO, a hydraulic system with up to 52 l/min flow rate and a urea-free exhaust after-treatment system for added reliability and reduced operating costs. When you choose a McCormick tractor, you are choosing technological innovation and uncompromising efficiency and productivity.

HIGHLIGHTS

- › Three models delivering 61 hp, 68 hp and 75 hp.
- › Speed Four transmission with 24 FWD + 24 REV speeds and mechanical Hi-Lo.
- › Power Four transmission with 12 FWD + 12 REV speeds and power shuttle.
- › Mounting frame for factory-fit McCormick front loader.
- › Open-centre hydraulic system with 52 l/min flow rate.
- › 540/540E PTO plus ground speed.



TWO-SPEED PTO

The **X4** features a rear 540/540E PTO with ground speed. A push button enables smooth and modulated engagement of the PTO, ensuring a soft start-up of implement.



McCORMICK FRONT LOADERS

Designed specifically to fit the **X4** tractor range, the McCormick front loaders are easy to mount and remove and allow the use of a wide range of implements. The ergonomic joystick control and the transparent roof hatch further enhance comfort and productivity.

ROPS Version

The **ROPS** version of the **X4** features an iso-mounted platform designed to minimise vibrations. Spacious and easy to access, the driving position provides a high level of comfort reducing operator fatigue. All controls are ergonomically arranged and user-friendly. The two-post **ROPS** folds down to allow the tractor to work under low fruits or vines and between narrow row spacings.



PLATFORM



McCORMICK CRAWLER TRACTORS: MISSION IS POSSIBLE

Champion

Built to tackle tough tasks other tractors can't manage, McCormick crawler tractors are true hillside specialists. They provide superior pulling force while maintaining low ground pressure for reduced soil compaction. Powerful, versatile, comfortable and safe on all slopes, McCormick crawler tractors are true champions that make even the most challenging tasks seem easy.

Efficiency

McCormick crawler tractors provide best-in-class efficiency thanks to their exceptional traction, flotation, stability and manoeuvrability. The engine provides responsive power to negotiate steep slope and tough conditions, ensuring maximum safety and productivity in any situation. Both the transmission and hydraulic system are designed for maximum configurability. The rear remote quick couplers are high quality and conveniently located. The oil cooler with auxiliary tank ensures optimum performance including under stress conditions. The rear hitch is designed to provide a high lifting capacity. Powerful, versatile and safe, McCormick crawler tractors will crawl into places where other tractors cannot.

Comfort

Designed to offer comfort and safety in any condition, McCormick crawler tractors are used to tackling slopes, mud and rough ground. The air-suspension seat enhances driving comfort on all terrains. Servo-assisted levers allow smooth direction changes. All controls are ergonomically positioned and easy to use. The cab is iso-mounted to reduce vibrations and equipped with sound-insulation and climate control system. McCormick crawler tractors ensure maximum ride comfort, thus reducing operator fatigue and increasing productivity.

McCORMICK X4T,
REACHING WHERE OTHERS CANNOT



HIGHLIGHTS

- › Metal tracks 310 to 450 mm wide; rubber shoes 400 mm wide.
- › Mechanical transmission entirely designed and manufactured by McCormick: 4 speeds and 2 ranges providing a total of 16 FWD + 8 REV gears with overdrive or creeper.
- › 85-litre fuel tank for long operating times without refuelling.
- › Air-suspension seat with armrests to isolate operator from vibrations for maximum ride comfort.
- › Rear hitch Category 2 with 3150 kg lift capacity; lift capacity can be increased to 4500 kg with two assistor rams.

Designed to work where other tractors cannot reach, the new **X4T** crawler tractor from McCormick has a light footprint that minimizes soil compaction while providing all the traction and grip needed to tackle difficult terrains and steep grades. It comes in two versions: **X4T F** for vineyard and orchard work and **X4T M** for hillside operation. Sound insulated and air conditioned, the new cab is iso-mounted to minimize vibrations and provides full all-round visibility. The driving position offers an air-suspension seat, a new dashboard and side console, ergonomic controls, radio system and automotive-style suspended brake pedals. The new Deutz AG 2.9L, 8-valve, 4-cylinder turbo aftercooled engines deliver 75 and 112 hp and meet the Stage V emissions regulations. A large 85-litre fuel tank ensures long working days without refuelling. The synchro shuttle transmission with 16 FWD and 8 REV gears can be equipped with either an overdrive to achieve 15 km/h or a creeper providing speeds down to 300 m/h. The dual-pump hydraulic system supplies 42 l/min to the hitch and remotes and 28.5 l/min to the steering system and operates up to five remote valves with six quick couplers and flow control system. The rear hitch has a standard lift capacity of 3150 kg which can be increased to 4500 kg with twin assistor rams. The **X4T F** can be fitted with 310 or 360mm semi-lubricated metal tracks, while the **X4T M** comes with either 400 or 450mm extra-large lubricated tracks. Designed with comfort in mind, the **X4T** fully meets farmers' needs for safety and efficiency, even on the toughest terrain.

CUSTOMIZED HYDRAULIC SYSTEM

The **X4T** features a highly customizable hydraulic system with a dual pump that supplies 42 l/min to the rear hitch and to up to five rear remote valves and 28 l/min to the Hi-Drive hydrostatic steering system for maximum driving comfort. The system can be optionally equipped with up to six hydraulic couplers at the front.



DRIVING POSITION DESIGNED WITH COMFORT IN MIND

Designed with comfort in mind, the new driving position of the **X4T** offers a large driver's seat with air suspension and armrests options and a dashboard and side console with redesigned controls for enhanced ergonomics and unmatched ease of use.



400 MM WIDE RUBBER SHOES

The new rubber tracks with 400 mm wide shoes feature a an iron core and steel guards for strength and durability. The rubber coating makes for added versatility and convenience of use both in the field and on the road.





McCORMICK SPECIALTY TRACTORS: THE FRUITFUL SPECIALISTS

Performance

High design capacity, cutting-edge production plants, exclusive use of advanced components and strict quality controls make the McCormick tractors a worldwide reference for farmers looking for state-of-the-art technology and no-compromise performance. McCormick has transferred the innovative technology of its high-end tractors into the specialty tractor range to create compact, easy-to-handle vehicles that will offer precise control, maximum operating comfort and versatility. McCormick is the ideal work partner for farmers looking to boost their productivity to new heights.

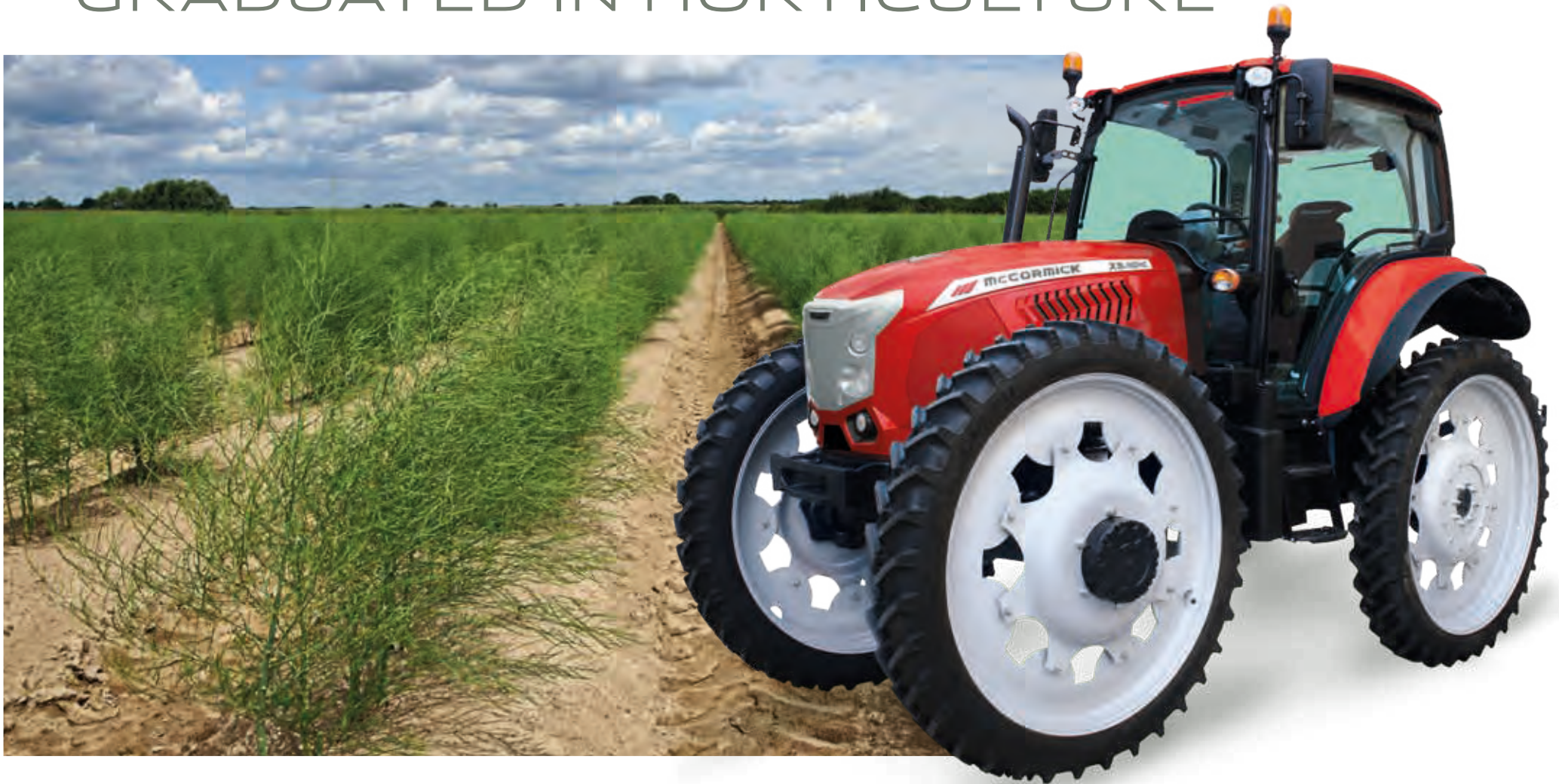
Configurability

Every farmer would like to have a tractor tailored to their specific needs. By putting the customer at the centre of its business, McCormick ensures that they receive only what they really need, eliminating unnecessary equipment and expenses. McCormick specialty tractors are highly configurable and allow the user to choose the engine power, the cab model, various operating controls, the type of transmission and front axle, the tyre size, the hydraulic system configuration and other components. Powerful performance, innovative technology and attention to customer's needs turn the McCormick specialty tractors into irreplaceable workmates.

Versatility

McCormick tractors are not adapted from any existing models but are designed and developed from the scratch around the real needs of farmers. McCormick specialty tractors are no-compromise machines which provide all the versatility required for operating in confined spaces and under low-hanging crops. Combining functional cutting-edge technology with versatility of use, the McCormick specialty tractors allow the operator to fully concentrate on the task at hand without having to worry about the tractor management.

MCCORMICK X5 HC, GRADUATED IN HORTICULTURE



HIGHLIGHTS

- ▶ Powerful and efficient FPT F36 engine with up to 102 hp.
- ▶ Power Four electrohydraulic transmission with two-speed Hi-Lo Powershift.
- ▶ Open-centre hydraulic system with up to 62 l/min dual pump.
- ▶ Ground clearance of up to 700 mm.
- ▶ McCormick Fleet & Remote Diagnostic Management.

The **X5 HC** is the efficient specialty tractor for vegetable crops from McCormick. Designed for best-in-class comfort and productivity, the **X5 HC** is perfect for planting, fertilizing, irrigating and harvesting vegetables, fruits, corn, rice and other crops. With its large-diameter equal-sized wheels and narrow tyres, the **X5 HC** achieves a ground clearance of up to 700 mm. This high ground clearance protects delicate crops reducing potential contact damage to a minimum. The tractor also provides minimal soil compaction and with its impressive agility and tight turning radius makes manoeuvring at headlands and in confined spaces easier than ever. The narrow tyres are type-approved for road transport. The **X5HC** tractor is available with two power outputs, 95 hp and 102 hp. Designed for enhanced driving comfort, the Total View Slim cab offers a roomy working environment with flat floor; a driver's seat with optional air suspension system; a telescopic tilt-adjustable steering column that tilts with the instrument cluster; ergonomically-placed, easy-to-use controls; automotive-grade fit and finish and roof-integrated air-conditioning to maintain a comfortable working environment whatever the outdoor weather conditions.

FPT F36 ENGINES FOR GREATER PRODUCTIVITY

The **X5 HC** tractors are powered by FPT 3.6-litre, 16-valve, 4-cylinder turbo engines with intercooler and common rail injection system that meet the Stage V/Tier 4 Final emissions regulations and deliver 95, and 102 hp. The exhaust after-treatment system is tucked away under the bonnet to ensure full visibility during work.



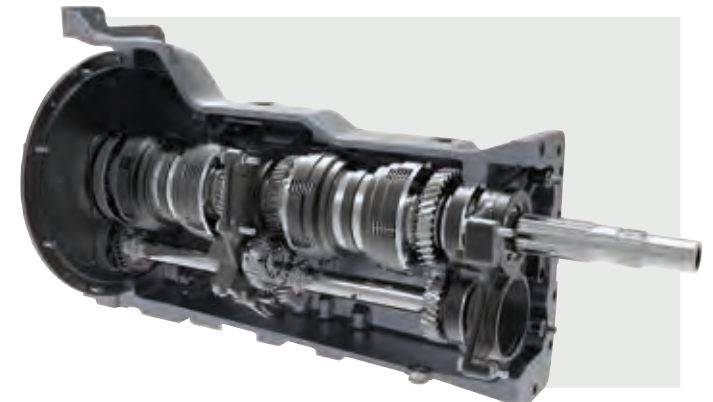
TOTAL VIEW SLIM CAB FOR MAXIMUM VISIBILITY

With its four-post design and generous glazing, the cab of the **X5 HC** tractor provides unmatched visibility in all directions, making manoeuvring in confined spaces easier and safer. Up to 10 LED work lights ensure optimum visibility for night operation.



POWER FOUR ELECTROHYDRAULIC TRANSMISSION

The Power Four Hi-Lo doubles the gears of the main transmission providing 24 FWD and 24 REV speeds. The creeper increases speeds to 32 FWD and 32 REV. The Power Four transmission features a steering-column synchro or power shuttle and a de-clutch button allowing operator to shift through all gears without use of the clutch pedal.



CAB

McCORMICK X4F, REAPING THE FRUIT OF PRODUCTIVITY



HIGHLIGHTS

- › **X4F** Cab tractor available in four versions: **F** for orchards, **N** for narrow-row orchards, **V** for vineyards, **XL** for wide-row orchards and open field.
- › New cab with all-round visibility, optionally available with Category 4 activated carbon air filter.
- › P3-Drive transmission with three-speed on-the-go powershift (HML): automated gear shifting and speed control via an electronic multifunction controller.
- › Electrohydraulic power shuttle with electronically adjustable shuttle response.
- › Maintenance intervals extended up to 1000 hours.
- › Open-centre hydraulic system with either a dual pump providing 58 + 30 l/min or a triple pump providing 36 + 58 + 30 l/min. The system supplies a flow rate of 54 l/min already at 1500 rpm.
- › Wide choice of tyres. Set of waffle-type high-speed rims available as an option.
- › Front and rear ISObus connection. The new ISObus Green system ensures total compatibility with all mechanical and hydraulic implements.

The new **X4F** tractor range from McCormick brings a fresh wind into the field of specialty tractors. Available in **F**, **N**, **V** and **XL** versions, the **X4F** Cab features a dynamic design with perfectly integrated full-LED lights, a cab with flat-deck platform and all-round visibility, extendable mirrors and automotive-grade fit and finish. The new **X4F** Cab tractors are powered by Stage V Deutz 2.9-litre, 4-cylinder turbocharged engines with intercooler and common rail injection system that provide power ratings from 75 to 112 hp. The DPR/DOC/SCR after-treatment system is tucked under the bonnet to keep a clean, uncluttered design without compromising on compact size and visibility. The transmission offers 12 FWD + 12 REV speeds with synchro shuttle and up to 48 FWD + 16 REV speeds with P3-Drive HML powershift and power shuttle. A multifunction controller provides easy and intuitive control of three-stage powershift and speeds. The hydraulic system can be equipped with either an 88 l/min dual pump or a 124 l/min triple pump. The electronic rear hitch offers a lift capacity of 2700 kg and is available on request with up to 3400 kg lift capacity for the **X4F** XL. A front hitch with a lifting capacity of 1400 kg and a 1000-rpm front PTO are supplied on request. The rear PTO is available with a choice of four speeds. To increase the tractor versatility, the **X4F** Cab can be fitted with a mounting frame for mid-mount implements. ADS, ISObus, Auto Guidance and Telemetry systems make for ease of driving. In line with McCormick's mission, the **X4F** offers uncompromising levels of innovation, performance and comfort.

ADVANCED DRIVING SYSTEM

Specialty tractors require the simultaneous management of tractor and implement functions. The new ADS assisted driving system enables the operator to fully concentrate on the job to be performed. All information on the implements is always clearly visible on screens that can be mounted onto a practical monitor bracket.



SUSPENDED CAB AND FRONT AXLE FOR MAXIMUM COMFORT

The cab is mounted on a Hydro Silent Block suspension system or optionally on spring-type shock absorbers allowing a vertical travel of -30/+30mm. For the F, N and XL models a suspended front axle is available to effectively reduce vibration levels and improve ride comfort.



PLAT

**McCORMICK X4F, OPERATOR IS
THE DRIVING FORCE OF PRODUCTIVITY**



HIGHLIGHTS

- › **X4F** Plat tractor available in four versions: **F** for orchards, **GE** for low orchards, **GB** for greenhouses and overhead trellis systems, **XL** for wide-row orchards and open field.
- › New low-profile cab available as an option for unmatched compact size and maximum comfort all year round.
- › New full-LED lights and McCormick Red Spirit Limited Edition with metallic red finish and matte black wheel rims for functionality and style.
- › New suspended front axle for the **F** and **XL** versions to increase comfort in the field and on the road.
- › Maintenance intervals extended to 1000 hours.
- › Wide choice of tyres. Set of high-speed rims available as an option.
- › Front and rear ISOBus connection. The innovative ISOBus Green system ensures total compatibility with all mechanical and hydraulic implements.

The new McCormick **X4F** tractors represent a real evolution in the specialty tractor segment. Available in **F**, **GE**, **GB** and **XL** versions, these tractors come with either ROPS or a low-profile cab designed for low-clearance applications. The **X4F** Plat puts the operator in focus: full-LED lights, a spacious flat-deck platform mounted on shock absorbing rubber mounts to absorb impacts caused by uneven ground, ease of access to the driving position, optimal steering wheel to seat distance, ergonomically-positioned controls. The new Deutz 2.9-litre, 16-valve, 4-cylinder turbo intercooled engines with common rail injection system and power ratings from 75 to 112 hp meet the Stage V emission regulations and deliver more power while improving fuel economy. The transmission provides 12 FWD + 12 REV speeds with synchro shuttle and up to 48 FWD + 16 REV speeds with three-stage on-the-go powershift and power shuttle. The open-centre hydraulic system can be equipped with either a dual pump providing 58 + 30 l/min for a total flow of 88 l/min or a triple pump supplying 36 + 58 + 30 l/min for a total flow of 124 l/min. The system supplies up to 94 l/min to the rear hitch and remote valves and provides a flow rate of 54 l/min already at 1500 rpm. Available on request are an electronic rear hitch with a lift capacity of 2700 kg and of up to 3400 kg for the **X4F** XL and a front hitch with a lift capacity of 1400 kg. The **X4F** Plat comes loaded with a lot of winning features that turn it into a true profit maker.



X4F GB IS SPECIALIZED IN LOW-CLEARANCE AREAS

With its 20-inch tyres, a turning radius of only 500 mm and a super compact driving position with a height to the steering wheel of only 1280 mm, the **X4F** is specially designed to work inside greenhouses and under overhead trellis system but will also glide with ease under the low-hanging branches of the kiwifruit trees.

EXHAUST AFTER-TREATMENT SYSTEM UNDER THE BONNET

The new engines meet Stage V emission regulations using DPF, DOC, SCR and AdBlue technologies. The after-treatment package is fitted under the bonnet to keep the vehicle height unchanged. This enables the tractor to maintain a compact footprint ensuring full visibility to the front.



INDUSTRY 4.0 FOR INCREASED PRODUCTIVITY

The McCormick Fleet Management will allow farmers to increase productivity by analysing the activities of their tractor fleet in real time: worked hours, worked surfaces, consumptions, remote diagnostics. A 3- or 5-year Fleet Management subscription will give subscribers access to the McCormick web portal.



McCORMICK X3, SPECIALIZED IN VERSATILITY



The **X3** specialty tractor from McCormick combines a compact design with best-in-class manoeuvrability and versatility. It comes in two versions: **X3 F** for vineyards and orchards with narrow row spacing and **X3 GE** for low orchards and vineyards, overhead trellis systems and tunnel crops. Both versions are equally at home in municipal applications. The driving position is available in three versions: ROPS, low-profile cab and standard cab. Creature comforts of the standard cab include a functional monitor bracket. Both models in the range are powered by Kohler 2.5-litre, 16-valve, 4-cylinder engines that deliver 68 hp and 75 hp. The Engine Memo Switch saves and manages the engine revs. The Stage V after-treatment system is fitted beside the bonnet to keep the tractor compact while improving visibility and manoeuvrability. The synchro shuttle transmission provides up to 16 FWD + 16 REV speeds with creeper. With an external width of 1350 mm, a minimum height to steering wheel of 1265 mm and a wheelbase of only 1950 mm, the **X3** combines an extremely compact footprint with a tight turning radius. This improves manoeuvrability while reducing working time, operator fatigue and fuel consumption. To maximise tractor versatility, the **X3** comes fitted with supports for the attachment of mid-mounted implements that can be used in combination with a front hitch and PTO. With the **X3** McCormick meets the challenge of providing useful technology that enhances driving comfort and productivity.

HIGHLIGHTS

- › The **X3** tractor is designed for maximum versatility and compatibility with rear-, front- and mid-mounted implements. Front PTO and front hitch with up to 1000 kg lift capacity.
- › Kohler Stage V 2.5L, 4-cylinder engines deliver 68 and 75 hp and achieve maximum torque at low engine rpm.
- › DOC/DPF exhaust after-treatment system without regeneration located beside the bonnet to keep a compact size and increase operator visibility and efficiency.
- › The Engine Memo Switch stores and recalls the ideal engine revs for smoother headland turns.
- › Front axle with electrohydraulic differential lock and four-wheel drive braking.

MID-MOUNT SUPPORTS STANDARD

Now the **X3** is even more versatile with its factory-fitted mid-mount supports. These new supports allow connecting implements specifically designed to work between crop rows or in confined spaces where a reduced footprint is paramount.



LOW-PROFILE MONOCOQUE CAB

To minimise foliage damage, the **X3** has been built with a small footprint: width at the base 116 cm, width at the top 86 cm, height from the ground 187 cm. The low-profile cab features wide access doors, a tilt steering wheel, a multifunctional console, climate control system, radio and backup camera. All control levers are located close to driver, leaving the central tunnel uncluttered.



WAFFLE RIMS

McCormick has introduced waffle rims, a technology used on open field tractors, on its **X3** specialty tractor range. These high-strength wheel rims are designed to support heavier loads and improve stability both in the field and on the road. This results in enhanced driving comfort and safety.



McCORMICK X2: SMALL OUTSIDE, BIG INSIDE



HIGHLIGHTS

- › The lowest bonnet and steering wheel in this tractor class, only 1130 mm from the ground: ideal for vegetable farming, greenhouse operations, vine and fruit growing under overhead trellis system.
- › Tractor design with innovative, dynamic lines for functionality and style.
- › High comfort: four-post cab with superior all-round visibility, opening front and rear windscreens, spacious driving position, tilt-adjustable steering wheel, ergonomic controls, automotive-style fit and finish, radio and climate control.
- › Front four-wheel drive axle with Hydralock differential lock and four-wheel braking for agility, traction and safety in all terrain conditions.
- › High-flow pump with 35 + 20 l/min and up to 3 remote valves for optimum operating efficiency and total implement compatibility.

The new **X2** combines superior performance with eco-friendly solutions. Designed with lightweight and agility in mind, this tractor ensures optimum manoeuvrability and reduced soil compaction, making it the ideal choice for vegetable growing farms, greenhouses, vineyards and orchards grown on overhead trellis systems as well as for municipal applications like maintenance of green spaces.

The **X2** provides high, environment-friendly performance relying on a Stage V Kohler KDI 1903 TCR 1.9-litre, three-cylinder turbo aftercooled engine that delivers 49 hp and 57 hp and achieve best-in-class peak torques of 180 and 200 Nm already at 1200 rpm. The transmission with steering-column synchro shuttle provides 12 FWD + 12 REV speeds that can be increased to 16 FWD + 16 REV with a creep speed unit. Featuring a minimum height of only 1230 mm from the ground for the STD version and 1130 mm for the GE version, the **X2** has the lowest bonnet in its class; this results in improved visibility to the front and easy operation in low-clearance areas. With a minimum width of only 1260 mm, the **X2** is also the most compact specialty tractor in its class. In addition, the tractor's tight turning radius and the wheelbase of only 1790 mm, the shortest in the segment, make headland turns easier and faster, thereby reducing working time, fuel consumption and operator fatigue. The new **X2** embodies compactness and uncompromising performance and comfort. Because the name McCormick stands for Power Technology.

McCORMICK X2, DESIGNED TO BE COMPACT

Specially designed for vegetable growing farms, greenhouses, vineyards and orchards in overhead trellis systems, the **X2** comes fitted with 20" and 24" rear tyres for maximum tractive performance and stability. The front and rear axles of the **X2** GE are respectively 100 mm and 95 mm lower than on the X2 STD.



NEW, POWERFUL STAGE V KOHLER ENGINE

More powerful: Kohler KDI 1903 TCR engines with 49 hp and 57 hp and max torques of 180 Nm and 200 Nm already at 1200 rpm. More eco-friendly: engines meet Stage V emission regulations. More clean and uncluttered: the exhaust after-treatment system is located in a lower position, out of operator's visual field. More productive: the DPF system reduces downtime.



BEST-IN-CLASS TECHNOLOGY AND EFFICIENCY

The instrument panel displays: tractor conditions, engine diagnosis, PTO and advance speeds, information on work area and consumptions. In addition, the McCormick Fleet Management monitors: efficiency, consumptions, working hours and maintenance.



McCORMICK TRACTORS AND FRONT LOADERS: YOUR BEST WORKMATES EVER



McCormick is committed to constantly improving the performance of its equipment. True to its tradition of excellence, McCormick has developed five new ranges of front-end loaders that stand out for their sturdiness, efficiency and productivity. Designed to be fully compatible with the entire range of McCormick tractors, from the X2 to the X8, this new lineup of front loaders will cover a variety of agricultural and forestry applications as well as municipal tasks. The new front loaders from McCormick offer a number of advantages: excellent levelling accuracy for reduced operator stress and fatigue; greater lift capacity; higher reach; push-pull adaptor or Faster multi-coupler; brackets designed to provide even weight distribution across the entire tractor, thereby reducing the load on the front axle; Red Spirit high-quality paint designed to withstand severe weather conditions and hard wear and tear; careful packing and shipping to avoid loader damage. To ensure maximum efficiency for a variety of handling, transport and maintenance applications, McCormick front loaders are offered with a wide range of implements including light-material buckets, earth buckets, multi-material buckets, manure forks, round bale forks and pallet forks. Sturdy, efficient and versatile, McCormick front loaders and tractors together make a perfect match.

HIGHLIGHTS

- › Ergonomically-designed joystick for control of following functions: boom raise/lower, bucket load/unload, 3rd and 4th function, transmission.
- › Crop protection: the loader frame does not reduce tractor ground clearance.
- › The front loader does not reduce the tractor turning radius.
- › The front loader suspension with two nitrogen-charged accumulators ensures smooth operation.
- › Rigid hydraulic lines reduce oil overheating and simplify maintenance.
- › All McCormick tractor cabs feature a transparent, high-visibility roof hatch for unobstructed view of front loader at all times.
- › The front loader can also be installed and used in conjunction with a front-mounted hitch.
- › A Euro implement carrier allows a wide range of compatible implements to be fitted to McCormick front loaders.
- › A bucket level gauge allows operator to determine the angle of implement to the ground.
- › Loader frame constructed from Domex steel or HLE steel for high lift capacity.

1 - GENIUS SUSPENSION SYSTEM

A suspension system with two nitrogen accumulators helps absorb the shocks and vibrations produced during loader work, minimizing stress on both tractor and front loader. The Genius suspension also limits tyre wear and reduces operator fatigue while ensuring smooth operation. The device is equipped with a protection cover and a shutoff valve for overriding the system when required. The Genius suspension system is standard on all Mp and Mt models and optional on the other ranges.

2 - BUCKET LEVEL INDICATOR

All McCormick front loaders are equipped with a bucket level indicator which assists the operator in determining the bucket position at ground level during handling operations.

FLOATING 4TH POSITION

This device is mounted on the hydraulic block to power the front loader cylinders. The floating 4th position is recommended when using implements that follow the ground contour.

FAST AND EASY MAINTENANCE

The brackets of the McCormick front loaders are designed to allow ease of access to all tractor service points, making routine maintenance tasks effortless and time-saving for enhanced operator convenience.

3 - PARKING STANDS

The McCormick front-end loaders feature long parking stands with adjustable cross braces ensuring maximum stability on uneven or sloping ground. During loader work, the parking stands are stored inside the boom to ensure that they do not interfere with the tractor wheels.

4 - 3rd FUNCTION AND 3rd + 4th FUNCTION

These options are required when the front-end loader operates implements equipped with hydraulic functions. The third function is required to operate implements like buckets, forks with grapple, grab forks and side-shift forks. The third and fourth function is required for more complex implements such as round bale forks with extra lift and side-shift function.







EXTENDED WARRANTY FOR PEACE OF MIND

A new extended warranty of five years or 5000 hours of operation on all tractor components, excluding wearable parts such as brakes, is the most cost-effective solution to protect your McCormick tractor fleet. In addition, the Full option provides comprehensive coverage with no deductible. And that's not all. The warranty extension package is tailored to the needs of each farm and adapted to each tractor model: you can choose between a year-based and an hour-based warranty period.

The extended warranty can be combined with scheduled maintenance packages to keep your tractor in good working order over time, thereby protecting the resale value of the vehicle. In addition, if you choose the warranty extension and scheduled maintenance options at the time of tractor purchase, these can be included in the purchase financing. Ever since its foundation, McCormick has always put the needs of farms and farmers at the core of its solutions.

SCHEDULED MAINTENANCE FOR GUARANTEED EFFICIENCY

Proper scheduled maintenance performed on an ongoing basis will make your tractor more efficient, reliable and durable. A correct preventive maintenance will also minimize extraordinary maintenance operations, thereby preventing costly downtime. McCormick scheduled maintenance is done at our dealerships by solution-oriented trained technicians who use state-of-the-art diagnostic equipment and technology. To meet every customer's needs, McCormick has developed modular service packages to be performed at preset hour intervals. In addition, all our customers can rely on prices that are:

- > **Fair:** lower than the cost of individual maintenance services;
- > **Clear:** inclusive of labour and genuine maintenance parts;
- > **Firm:** locked in and protected from increases.

And that's not all: if purchased in conjunction with the tractor, the scheduled maintenance package can be included in the financing. By choosing McCormick you can focus on work and productivity, while our qualified staff will take care of everything else.









McCORMICK ORIGINAL SPARE PARTS, THE CORNERSTONE OF YOUR PRODUCTIVITY



Although it works hard, your McCormick tractor always looks good as new. With McCormick original parts, time seems to have stopped. Our original spare parts are an integral part of our scheduled maintenance and extended warranty program. Developed by the same engineers who design and manufacture the McCormick tractors, genuine McCormick parts are designed and manufactured to the highest quality standards to ensure reliable and safe performance over time. The strong points of McCormick original spare parts are the following:

- Spare parts are always shipped within 24 hours of order receipt.
- Each part comes with a 12-month warranty and is marked with a tamper-proof hologram that certifies the product's quality and originality.
- Original McCormick parts are reliable and convenient: they improve your tractor performance, maintain high productivity levels and preserve your tractor's value. All McCormick spare parts rely on our extensive design and manufacturing expertise. Because when you choose McCormick, you are choosing quality without compromise.



POWER TECHNOLOGY, SINCE 1847



Cyrus Hall McCormick was born in Virginia, United States, in 1809. A keen inventor, he stunned the agricultural world with inventions that mechanized the farm work. In 1831 he invented the first mechanical reaper.

In 1847 McCormick established a factory for the production of grain harvesters. In 1866 the company adopted the red colour that still identifies the brand worldwide. In 1871 McCormick manufactured more machines than any other company in the world: 250 reapers per day. The first tractor, the Mogul 8-16, was launched in 1906. In those years, the company opened up factories in Canada, Great Britain, Germany, France and Sweden.

In the following years, the company was purchased and sold several times. In 2000 McCormick was acquired by the Argo Group, which relaunched the brand under the name McCormick Tractors International Limited.

Today, McCormick is a world leader in the tractor industry and its name stands for uncompromising technology and innovative design. Thanks to heavy investments in research and development, the new generation of McCormick tractors leads the market for performance and innovation. Farmers look for efficient, reliable and versatile solutions to maximize their productivity – and this is exactly what we are proud to offer our customers.



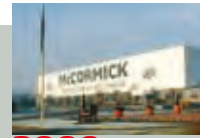
1847



1910



1951



2000



2005



2015



2019

1906



1949



1970



2002



2013



2017



1831. Cyrus Hall McCormick designs the first reaper. The machine is patented in 1834.

1847. McCormick sets up a factory in Chicago to manufacture his mechanical reapers.

1866. Red is chosen as the official McCormick brand colour.

1871. McCormick is the most productive company in the world: 250 reapers per day, exported all over the world.

1902. Banker J.P. Morgan acquires McCormick that will be merged with Deering, Plano and Milwaukee Harvester to form International Harvester Company (IHC), the world's largest farm machinery group. Cyrus Hall McCormick Junior is appointed as President.

1906. IHC unveils its first tractor, the Mogul 8-16.

1910. IHC launches a large, high horsepower tractor, the Titan 10-20. New factories are established in Canada, UK, Germany, France and Sweden.

1919. IHC develops the first commercial power take-off.

1923. IHC launches the legendary Farmall series, a revolutionary range of lightweight tractors. Farmall becomes the brand name of a line of tractors and implements for ploughing, cultivating and harvesting.

1949. Production of McCormick Farmall tractors starts at Doncaster, UK.

1951. Production of Farmall tractors starts at St. Dizier, France.

1970. The World Wide series is introduced. This is Europe's first tractor range to incorporate synchromesh and hydrostatic transmissions.

2000. The company is acquired by Italy-based Argo Tractors Industrial Group which relaunches it under the brand name McCormick Tractors International Ltd. McCormick purchases the Doncaster manufacturing plant.

2001. Argo Tractors acquires St. Dizier manufacturing plant in France.

2002. The MC115, MTX, MTX200 and Power6 tractors roll off the production line.

2005. The McCormick Diamond Edition is launched.

2010. The entire production is concentrated in the new Argo Tractors facilities.

2013. The X7 Series, entirely designed by Argo Tractors, debuts in Paris. It features a new ZF transmission. A continuously variable transmission (CVT) is also introduced. It is the beginning of a new era.

2015. The high-horsepower lineup debuts with the 310-hp X8 VT-Drive series. Xtractor docu-reality is shot; protagonist of the video series is a team of McCormick tractors travelling over 8000 km across Australia.

2017. The McCormick X6.4 VT-Drive with continuously variable transmission is named Best Utility tractor at the 2018 edition of the Tractor of the Year awards. A new branch is opened in Spain. The Spanish office also takes care of the French and German markets.

2018. After Australia, the Xtractor team leaves for a new expedition across South Africa: the itinerary of 8000 km is covered in 50 days.

2019. The X7.624 Stage V 6-cylinder tractor enters production. The new design of the bonnet and cab roof, adopted also on the Stage V X8 VT-Drive model, improves the looks and visibility of the vehicle.

2021. McCormick offers a comprehensive range of tractors from 43 to 310 hp. The launch of the new Stage V X8 VT-Drive, X7.6 VT-Drive and P6 Drive models confirms McCormick's commitment to ongoing technological innovation and uncompromised performance.

TECHNICAL DATA

X8 VT-DRIVE		X8.627 VT-DRIVE	X8.631 VT-DRIVE
ENGINE			
Max power (97/68/EC - ISO TR 14396)	hp / kW	264 / 194	310 / 228
Max torque - at 1400 rpm	Nm	1132	1282
Manufacturer		FPT	
Engine type - Installation		NEF 67 - engine iso-mounted on cast iron chassis	
Stage V / Tier 4 Final exhaust after-treatment system		HI-eSCR2	
Cylinders / Displacement / Valves		6 / 6.7 l / 24	
CAPACITIES			
Fuel tank	l	550	
TRANSMISSION			
Type		VT-Drive - continuously variable transmission	
No. of stages		4	
REAR PTO			
Speeds		540 E / 1000 / 1000 E	
FRONT AND REAR AXLES			
Front suspended axle		● - front parallelogram suspension system (PREMIUM version)	
HYDRAULIC SYSTEM			
Hydraulic piston pump with CCLS system - flow rate		● - 160 l/min	
Hydraulic piston pump with CCLS system - high flow rate		● - 212 l/min	
Rear remote valves - type, flow rate, min - max		electrohydraulic, 140 l/min, 4 - 6	
REAR 3-POINT HITCH			
Max lifting capacity at hitch points	kg	12000	
FRONT 3-POINT HITCH			
Max lifting capacity at 610 mm	kg	5000	
FRONT PTO			
Type		○ - electrohydraulic multidisc clutch with modulated engagement	
Speeds	rpm	1000	
CAB			
McCormick semi-active suspension		● - electrohydraulic semi-active cab suspension system, electronically controlled (PREMIUM version)	
EasyPilot with multifunction armrest		●	
DSM Data Screen Manager		● - 12" touch screen monitor	
MISCELLANEOUS			
Rear ISObus		●	
PSM Precision Steering Management, rear ISObus & EasySteer - ready		●	
PSM Precision Steering Management, rear ISObus & EasySteer - EGNOS full kit		○	
PSM Precision Steering Management, rear ISObus & EasySteer - RTK NTRIP full kit		○	
McCormick Fleet Management - 3-year full plan subscription		●	
WEIGHT AND DIMENSIONS			
Wheelbase	mm	3000	
Shipping weight - measured with average specs	kg	11000	
Gross vehicle weight	kg	16000	

Key: ● standard ○ option

X7.6 VT-DRIVE		X7.621 VT-DRIVE	X7.623 VT-DRIVE	X7.624 VT-DRIVE
ENGINE				
Max power (97/68/EC- ISO/TR 14396)	hp / kW	200 / 147	215 / 158	230 / 169
Max power with EPM (97/68/EC - ISO/TR 14396)	hp / kW	210 / 155	225 / 166	240 / 176
Max torque at 1400 rpm	Nm	840 (860)	904 (921)	966 (983)
Manufacturer		FPT		
Engine type - Installation		NEF 67 - iso-mounted on cast iron chassis		
Stage V / Tier 4 Final exhaust after-treatment system		HI-eSCR2		
Cylinders/ Displacement / Valves		6 / 6.7 l / 24		
CAPACITIES				
Fuel tank	l	350		
TRANSMISSION				
Type		VT-Drive - continuously variable transmission		
No. of stages		4		
Transmission control		EasyPilot with multi-function armrest		
REAR PTO				
Speeds		540 / 540 E / 1000 / 1000 E		
FRONT AND REAR AXLES				
Front suspended axle		○ - IFS - independent front wheel suspension system		
HYDRAULIC SYSTEM				
Hydraulic piston pump with CCLS system - flow rate		● - 123 l/min		
Remote valves - type, flow rate, min - max		electrohydraulic, 100 l/min, 3 - 6		
REAR 3-POINT HITCH				
Max lift capacity at the hooks - ram diameter	kg	9300 - 100 mm		
FRONT 3-POINT HITCH				
Lift capacity at the hooks (OECD at the hooks)	kg	3500		
FRONT PTO				
Type		○ - electrohydraulic multidisc clutch with modulated engagement		
CAB				
Première Cab - 4-post cab with McCormick mechanical suspension		●		
McCormick semi-active suspension system		● - electronically-controlled electrohydraulic semi-active cab suspension		
EasyPilot with multi-function armrest		●		
DSM Data Screen Manager		● - 12" touch screen monitor		
WEIGHT AND DIMENSIONS				
Wheelbase	mm	2820		
Shipping weight - measured with average specs	kg	8300		
Gross vehicle weight	kg	13000		
Max front and rear tyre sizes - (Index Radius - IR)	mm	600/60R30 (IR 700) - 710/60R42 (IR 925)		

TECHNICAL DATA

X7.6 P6-DRIVE		X7.620 P6-DRIVE	X7.621 P6-DRIVE	X7.623 P6-DRIVE
ENGINE				
Max power (97/68/EC- ISO TR 14396)	hp / kW	180 / 132	200 / 147	215 / 158
Max power with EPM (97/68/EC - ISO TR 14396)	hp / kW	190 / 140	210 / 155	225 / 166
Max torque without EPM (with EPM) at 1400 rpm	Nm	756 (778)	840 (860)	904 (921)
Manufacturer		FPT		
Engine type - Installation		NEF 67 - iso-mounted on cast iron chassis		
Stage V / Tier 4 Final exhaust after-treatment system		HI-eSCR2		
Cylinders/ Displacement / Valves		6 / 6.7 l / 24		
CAPACITIES				
Fuel tank	l	320		
TRANSMISSION				
Type		P6-Drive - 6 powershift speeds and 5 robotized ranges		
No. of gears		● - 30 FWD + 15 REV without creeper - ○ 54 FWD + 27 REV with creeper		
Transmission control		EasyPilot on RH console (EFFICIENT version) - EasyPilot with multi-function armrest (PREMIUM version)		
APS - Auto PowerShift		● - electronically-controlled automatic powershift and range shifting		
REAR PTO				
Speeds		540 / 540 E / 1000 / 1000 E		
FRONT AND REAR AXLES				
Front suspended axle		○ - IFS - independent front wheel suspension system		
HYDRAULIC SYSTEM				
Hydraulic piston pump with CCLS system - flow rate		● - 123 l/min		
Rear remote valves - type, flow rate, min - max		mechanical, 80 l/min, 2 - 3 mechanical + 1 electrohydraulic (EFFICIENT version) - electrohydraulic, 100 l/min, 3 - 6 (PREMIUM version)		
REAR 3-POINT HITCH				
Max lifting capacity at hitch points	kg	● - 6400 - 80 mm - ○ - 9300 - 100 mm (EFFICIENT version) - ● - 9300 - 100 mm (PREMIUM version)		
FRONT 3-POINT HITCH				
Max lifting capacity at 610 mm	kg	3500		
FRONT PTO				
Type		○ - electrohydraulic multidisc clutch with modulated engagement		
CAB				
McCormick mechanical suspension		○		
McCormick semi-active suspension		○ - electronically-controlled electrohydraulic semi-active cab suspension		
EasyPilot with multifunction armrest		● - (PREMIUM version)		
DSM Data Screen Manager		○ - (PREMIUM version) - 12" touch screen monitor		
WEIGHT AND DIMENSIONS				
Wheelbase	mm	2820		
Shipping weight - measured with average specs	kg	8000		
Gross vehicle weight	kg	13000		
Max front and rear tyre sizes - (Index Radius - IR)	mm	600/60R30 (IR 700) - 710/60R42 (IR 925)		

Key: ● standard ○ option

X7 SWB VT-DRIVE		X7.418 VT-DRIVE	X7.618 VT-DRIVE
ENGINE			
Max power (97/68/EC - ISO TR 14396)	hp / kW	166,3/122,3	166,3/122,3
Max power with EPM (97/68/EC - ISO TR 14396)	hp / kW	175,4/129,0	175,4/129,0
Max torque without EPM (with EPM) at 1400 rpm	Nm	700,0 (700,0)	700,0 (700,0)
Manufacturer		FPT	
Engine type - Installation		NEF 45 - structural engine	NEF 67 - structural engine
Stage V / Tier 4 Final exhaust after-treatment system		HI-eSCR2	
Cylinders / Displacement / Valves		4 / 4.51 / 16	6 / 6.71 / 24
CAPACITIES			
Fuel tank	l	280	
TRANSMISSION			
Type		VT-Drive - continuously variable transmission	
No. of stages		4	
REAR PTO			
Speeds		540 / 540 E / 1000 / 1000 E	
FRONT AND REAR AXLES			
Front suspended axle		○ - IFS with independent front wheels suspension system	
HYDRAULIC SYSTEM			
Hydraulic piston pump with CCLS system - flow rate		● - 123 l/min	
Hydraulic piston pump with CCLS system - high flow rate		○ - 160 l/min	
Rear remote valves - type, flow rate, min - max		● - 3 electrohydraulic remote valves - ○ - 4E, 5E, 3E+2E, 4E+2E	
REAR 3-POINT HITCH			
Max lifting capacity at hitch points	kg	● - 6400 - ○ - 9300	
FRONT 3-POINT HITCH			
Max lifting capacity at 610 mm	kg	3500	
FRONT PTO			
Type		○ - electrohydraulic multidisc clutch with modulated engagement	
Speeds	rpm	1000	
CABINA			
McCormick mechanical suspension		○ - mechanical cab suspension system	
McCormick semi-active suspension		○ - electrohydraulic semi-active cab suspension system, electronically controlled	
EasyPilot with multifunction armrest		●	
DSM Data Screen Manager		● - 12" touch screen monitor	
MISCELLANEOUS			
Rear ISObus		○	
PSM Precision Steering Management, rear ISObus & EasySteer - EGNOS full kit		○	
PSM Precision Steering Management, rear ISObus & EasySteer - RTK NTRIP full kit		○	
McCormick Fleet Management - ready		●	
WEIGHT AND DIMENSIONS			
Wheelbase	mm	2651	2760
Shipping weight - measured with average specs	kg	6700	7000
Gross vehicle weight	kg	11500	

TECHNICAL DATA

X7 SWB P6-DRIVE		X7.417 P6-DRIVE	X7.418 P6-DRIVE	X7.617 P6-DRIVE	X7.618 P6-DRIVE
ENGINE					
Max power (97/68/EC - ISO TR 14396)	hp / kW	155.3/114.2	166.3/122.3	155.3/114.2	166.3/122.3
Max power with EPM (97/68/EC - ISO TR 14396)	hp / kW	165.2/121.5	175.4/129.0	165.2/121.5	175.4/129.0
Max torque without EPM (with EPM) at 1400 rpm	Nm	651.9 (675.6)	700.0 (700.0)	651.9 (675.6)	700.0 (700.0)
Manufacturer		FPT			
Engine type - Installation		NEF 45 - structural engine		NEF 67 - structural engine	
Stage V / Tier 4 Final exhaust after-treatment system		HI-eSCR2			
Cylinders / Displacement / Valves		6 / 6.71 / 24		6 / 6.71 / 24	
CAPACITIES					
Fuel tank	l	280			
TRANSMISSION					
Type		P6-Drive - 6 powershift and 5 robotized ranges			
No. of gears		● - 30 FWD + 15 REV without creeper - ○ 54 FWD + 27 REV with creeper			
REAR PTO					
Speeds		540 / 540 E / 1000 / 1000 E			
FRONT AND REAR AXLES					
Front suspended axle		○ - IFS - independent front wheels suspension system			
HYDRAULIC SYSTEM					
Hydraulic piston pump with CCLS system - flow rate		● - 123 l/min			
Hydraulic piston pump with CCLS system - high flow rate		○ - 160 l/min			
Rear remote valves - type, flow rate, min - max		● - 3 mechanical remote valves, 80 l/min - ○ - 2M, 3M + 2E, electronic remote valves, 100 l/min 3E, 4E, 5E, 3E+2E, 4E+2E			
REAR 3-POINT HITCH					
Max lifting capacity at hitch points	kg	● - 6400 ○ - 9300			
FRONT 3-POINT HITCH					
Max lifting capacity at 610 mm	kg	3500			
FRONT PTO					
Type		○ - electrohydraulic multidisc clutch with modulated engagement			
Speeds	rpm	1000			
CAB					
McCormick mechanical suspension		○ - mechanical cab suspension system			
McCormick semi-active suspension		○ - electrohydraulic semi-active cab suspension system, electronically controlled			
EasyPilot with multifunction armrest		● - with electrohydraulic remote valves			
DSM Data Screen Manager		○ (with electrohydraulic remote valves) - 12" touch screen monitor			
MISCELLANEOUS					
Rear ISObus		○			
PSM Precision Steering Management, rear ISObus & EazySteer - EGNOS full kit		○			
PSM Precision Steering Management, rear ISObus & EazySteer - RTK NTRIP full kit		○			
McCormick Fleet Management - ready		●			
WEIGHT AND DIMENSIONS					
Wheelbase	mm	2651		2760	
Shipping weight - measured with average specs	kg	6400		6700	
Gross vehicle weight	kg	11500			

Key: ● standard ○ option

<h1>X6.4</h1>		X6.413 P6-DRIVE	X6.414 P6-DRIVE	X6.415 P6-DRIVE
ENGINE				
Max power (97/68/EC - ISO TR 14396)	hp / kW	125.1/92,0	135.3/99.5	144.1/106.0
Max power with EPM (97/68/EC - ISO TR 14396)	hp / kW	135.3/99.5	14.6/107.1	154.9/113.9
Max torque without EPM (with EPM) at 1400 rpm	Nm	520 (551)	551 (610)	600 (630)
Manufacturer		FPT		
Engine type - Installation		NEF 45		
Stage V / Tier 4 Final exhaust after-treatment system		HI-eSCR2		
Cylinders / Displacement / Valves		4 / 4.5 l / 16		
CAPACITIES				
Fuel tank	l	220		
TRANSMISSION				
Type		P6-Drive - 6 powershift and 4 synchronized ranges controlled by lever		
No. of gears		● 24 FWD + 24 REV without creeper - ○ 40 FWD + 40 REV with creeper		
Transmission & other controls		● - SmartPilot with armrest - Powershift transmission control, RPS, engine memo switch, MyHMF, rear PTO and rear hitch controls		
Transmission & other controls		○ - SmartPilot Plus with armrest - Powershift transmission control, RPS, engine memo switch, MyHMF, rear PTO, rear hitch hydraulic remote & FL controls		
REAR PTO				
Speeds		● 540 / 540 E ○ 540 / 1000 ○ 540 / 540 E / 1000 / 1000 E		
FRONT AND REAR AXLES				
Front suspended axle		○ - IFS - independent front wheels suspension system with brakes		
HYDRAULIC SYSTEM				
Hydraulic piston pump with CCLS system - flow rate		● - 114 l/min		
Remote valves - type, flow rate, min - max		● - 3 mechanical - 80 l/min - ○ - 3 mechanical + 2 electrohydraulic, 5 electrohydraulic - 100 l/min		
Flow divider with flow selector - section flow rate		○ - flow divider with 2 sections - 60l/min		
Free-flow return		●		
Hydraulic oil take out	l	● - 23 - ○ - 35 max take out capacity with additional tank		
REAR 3-POINT HITCH				
Max lift capacity at the hooks - ram diameter	kg	● 7200 - 90 mm		
FRONT 3-POINT HITCH				
Lift capacity at the hooks (OECD at the hooks)	kg	2500		
FRONT PTO				
Type		○ - electrohydraulic multidisc clutch with modulated engagement		
CAB				
McCormick High-Vision cab - 4-post cab mounted on silent blocks		● with panoramic roof		
McCormick mechanical cab suspension system		○		
SmartPilot with armrest		●		
DSM Data Screen Manager		○ - 12" touch screen monitor		
MyLights		● - with DSM		
WEIGHT AND DIMENSIONS				
Wheelbase	mm	2560		
Shipping weight - measured with average specs	kg	5500		
Gross vehicle weight	kg	9500		
Max front and rear tyre sizes - (Index Radius - IR)	mm	520/60R28 VF (IR 650) - 650/60R38 VF (IR 825)		

TECHNICAL DATA

X5		X5.100	X5.110	X5.120
ENGINE				
Max power (97/68/EC - ISO TR 14396)	hp / kW	95.2/70	102/75	114/84
Max torque at 1400 rpm	Nm	395	430	460
Manufacturer		FPT		
Cylinders / Displacement / Valves		4 / 3.6l / 16		
TRANSMISSION				
No. of gears		● 12 FWD + 12 REV with synchro shuttle (EFFICIENT) - ● 12 FW + 12 RW RPS with modulation control (PREMIUM) ○ 24 FWD + 24 REV with Hi-Lo powershift (EFFICIENT) - ○ 36 FW +12 RW with Xtrashift HML&RPS (PREMIUM)		
REAR PTO				
Speeds		● 540 - 540 / 540E - 540 / 1000 (EFFICIENT) - ● 540 / 540E - ○ 540 / 1000 ○ 540 / 540E / 1000 / 1000E with HML (PREMIUM)		
FRONT AXLES				
Front rigid axle		● (EFFICIENT-PREMIUM)		
Front suspended axle		○ (PREMIUM)		
HYDRAULIC SYSTEM				
Hydraulic pump for rear hitch and remote valves + steering - flow rate		● 62 + 32 l/min (EFFICIENT-PREMIUM) - ○ 82 + 32 l/min (PREMIUM)		
REAR 3-POINT HITCH				
Max lifting capacity at hitch points	kg	○ 4500 (EFFICIENT) - ● 4500 (PREMIUM) with 2 assistor rams		
FRONT 3-POINT HITCH				
Max lifting capacity at hitch points	kg	2200		
FRONT PTO				
Type - Speed		○ electrohydraulic multidisc clutch with modulated engagement - 1000 rpm		
CAB				
McCormick mechanical cab suspension		○ PREMIUM		
MISCELLANEOUS				
PSM Precision Steering Management & ISObus - ready		●		
PSM Precision Steering Management & ISObus - EGNOS full kit		○ - X25 monitor, AGS-2 aerial and AES-35 steering wheel		
McCormick Fleet Management - ready		●		
WEIGHT AND DIMENSIONS				
Wheelbase	mm	2355		
Standard weight measured with average specs	kg	4000		
Gross vehicle weight	kg	7000		

Key: ● standard ○ option

X5.085		X5.085
ENGINE		
Max power (97/68/EC - ISO TR 14396)	hp/kW	75 / 56
Max torque at 1400 rpm	Nm	375
Torque backup		56%
Manufacturer		FPT
Cylinders / Displacement / Valves		4 / 3.4 l / 8
TRANSMISSION		
No. of gears		● 12FWD + 12REV with synchro shuttle or RPS with modulation control ○ 24FWD + 24REV with RPS with modulation control & Hi-Lo - ○ 36FWD + 12REV with RPS with modulation control & HML
REAR PTO		
Speeds	rpm	● 540/540E - ○ 540/1000 - ○ 540/540E/1000/1000E - ○ 540
FRONT AXLES		
Front rigid axle		●
Front differential lock		● limited slip - ○ Hydralock full differential lock
HYDRAULIC SYSTEM		
Hydraulic pump for rear hitch & remote valves + steering - flow rate		● 56 + 30 l/min
REAR 3-POINT HITCH		
Max lifting capacity at hitch points	kg	● 3900
FRONT 3-POINT HITCH		
Max lifting capacity at hitch points	kg	1600
FRONT PTO		
Type		○ - electrohydraulic multidisc clutch with modulated engagement
CAB		
Total View Slim cab mounted on silent blocks		●
MISCELLANEOUS		
McCormick Fleet Management - ready		●
WEIGHT AND DIMENSIONS		
Wheelbase	mm	2171
Standard weight measured with average specs	kg	3700
Gross vehicle weight	kg	5800

TECHNICAL DATA

X4		X4.060	X4.070	X4.080
ENGINE				
Max power (97/68/EC - ISO TR 14396)	hp / kW	61 / 45	68 / 50	75 / 55
Max torque at 1400 rpm - Stage V (Tier 4 Final)	Nm	285 (279)	310 (299)	310 (299)
Torque backup - Stage V (Tier 4 Final)		46% (43%)	43% (38%)	30% (25%)
Manufacturer		KOHLER		
Cylinders / Displacement / Valves		4 / 2.5l / 16		
Maintenance interval		500 hours		
TRANSMISSION				
No. of gears		● 24FWD + 24REV with synchro shuttle - ○ 12FWD + 12REV with RPS		
REAR PTO				
Speeds	rpm	● 540/540E		
FRONT AND REAR AXLES				
Front rigid axle		●		
HYDRAULIC SYSTEM				
Hydraulic pump for rear hitch & remote valves + steering - flow rate		● 52 + 30 l/min		
REAR 3-POINT HITCH				
Max lifting capacity at hitch points	kg	● 3000		
FRONT 3-POINT HITCH				
Front hitch		*		
FRONT PTO				
Type - Speed		*		
CAB				
Total View Slim cab mounted on silent blocks		●		
Platform version		○		
ON BOARD TECHNOLOGY				
McCormick Fleet Management - ready		●		
WEIGHTS AND DIMENSIONS				
Wheelbase	mm	2110		
Standard weight measured with average specs	kg	3200 cab - 3050 plat		
Gross vehicle weight	kg	5100		

Key: ● standard ○ option * aftermarket

X4T		X4.085 TF/TM	X4.095 TF/TM	X4.105 TF/TM	X4.110 TF/TM	X4.120 TF/TM
ENGINE						
Engine manufacturer		Deutz AG				
Engine type		TCD 2.9 L4 HT		TCD 2.9 L4 HP		
Max power (ISO)	hp/kW	75 / 56	90 / 66	95 / 70	102 / 75	112 / 82
Max torque	Nm	375	378	400	410	420
Displacement	cm ³	2900				
Cylinders / Valves		4 TA / 8				
Emissions category		Stage V				
Fuel tank capacity	l	85				
TRANSMISSION						
Type		Speed Four				
No. of gears FWD + REV		● 16+8 Hi-Lo overdrive ○ 16+8 w/creeper				
REAR PTO						
Type		servoassisted clutch				
Speeds	rpm	● 540-540E ○ 540-1000				
STEERING AND BRAKING SYSTEM						
Steering system		hydrostatic Hi-Drive				
Steering control		2 levers operating 2 independent wet clutches and brakes				
Braking system		hydrostatic wet multidisc graphite brakes				
HYDRAULIC SYSTEM						
Hydraulic flow rate for rear hitch & remote valves + steering	l/min	42+28				
Rear remote valves		● 3 ○ 4 / 5				
REAR HYDRAULIC HITCH						
Type		mechanical with position/draft/mixed/float control				
Max lifting capacity at hitch points	kg	● 2650 ○ 4500 (w/assistor rams)				
CAB AND DRIVING POSITION						
Platform type		ROPS w/central tunnel, side gears and reverse shuttle controls				
Platform suspension		suspended on silent blocks w/air suspension seat				
Digital dashboard		●				
WEIGHT AND DIMENSIONS						
Min-max overall width	mm	1410-1492 (metallic TF) -1532 (rubber TF) / 1700-1750 (TM)				
Shipping weight	kg	3900 (TF) - 4500 (TM)				
TRACKS						
Track frame rollers		5				
Track shoe type		● metallic ○ rubber				
Track shoe width	mm	310-360 (metallic TF) / 400-450 (metallic TM) / 400 (rubber TF/TM)				

TECHNICAL DATA

X5 HC		X5.100 HC	X5.110 HC
ENGINE			
Max power (97/68/EC - ISO TR 14396)	hp / kW	95,2/70	102/75
Max torque at 1400 rpm	Nm	395	430
Manufacturer		FPT	
Cylinders / Displacement / Valves		4 / 3.6l / 16	
TRANSMISSION			
No. of gears		● 12 FWD + 12 REV with synchro shuttle - 4WD - ○ 24 FWD + 24 REV with Hi-Lo powershift	
REAR PTO			
Speeds		● 540 - ○ 540 / 540E - ○ 540 / 1000	
FRONT AXLE			
Front rigid axle		●	
HYDRAULIC SYSTEM			
Hydraulic pump for rear hitch & remotes + steering - flow rate		● 62 + 32 l/min	
REAR 3-POINT HITCH			
Max lifting capacity at hitch points	kg	○ 3900 with 2 assistor rams	
CAB			
Total View Slim cab mounted on silent blocks		●	
MISCELLANEOUS			
McCormick Fleet Management - ready		●	
WEIGHT AND DIMENSIONS			
Wheelbase	mm	2355	
Standard weight measured with average specs		4300 (4WD)	
Gross vehicle weight	kg	6000	

Key: ● standard ○ option

X4F CAB		X4.080 F-N-V-XL	X4.090 F-N-V-XL	X4.100 F-N-V-XL	X4.110 F-N-V-XL	X4.120 F-N-V-XL
ENGINE						
Engine manufacturer		Deutz AG				
Engine type		TCD 2,9 L4 HT	TCD 2.9 L4 HP			
Rated power (ISO)	hp/kW	75 / 56	78 / 58	85 / 63	95 / 70	104 / 77
Max power (ISO)	hp/kW	75 / 56	90 / 66	95 / 70	102 / 75	112 / 82
Max torque	Nm	375	378	400	410	420
Displacement	cm ³	2900				
Cylinders / Valves		4 TA / 8				
Emissions category		Stage V / Tier IV				
After-treatment system		DOC+DPF	DOC+DPF+SCR			
TRANSMISSION						
Transmission type		● Speed Four ○ Speed Four (Hi-Lo) / Power Four (HiLo) / Xtrashift (HML) / P3-Drive (HML)				
No. of gears FWD + REV		● 12+12 ○ 16+16 creeper / 24+24 Hi-Lo / 32+32 Hi-Lo+creeper / 36+12 HML / 48+16 HML+creeper				
ECO engine speed at 40 km/h	rpm	●				
Transmission control		● manual (Speed Four / Power Four / Xtrashift) ○ multifunction joystick (P3-Drive)				
Front axle type		● rigid ○ suspended (F-N-XL)				
Traction type		fully electrohydraulic 4WD				
REAR PTO						
Type		● servoassisted clutch ○ electrohydraulic multidisc clutch (w/RPS)				
Speeds	rpm	● 540-540E ○ 540-1000 / 540-540E-1000-1000E / ground speed PTO				
HYDRAULIC SYSTEM						
Hydraulic flow rate for rear hitch & remotes + steering	l/min	● 58+30 ○ 36+58+30 (94 available for rear hitch & remotes)				
Rear remote valves		● 2 ○ 1+1 hydraulic motor / 2+1 kick-out / 2+1 hydraulic motor / 2+1 hydraulic motor + 1 electronic hitch / 4 electronic hitch				
Mid-mounted remote valves		○ 1 electronic hitch / 3 electronic hitch				
Front quick couplings		○ 2+1 free flow return / 4+2 free flow return / 6+1 or 2 free flow return / 8+2 free flow return				
REAR HYDRAULIC HITCH						
Type		● mechanical with position/draft/mixed control ○ electronic with position/draft/mixed control				
Max lifting capacity at hitch points	kg	● 2700 ○ 3400 (XL w/assistant rams)				
FRONT HYDRAULIC HITCH						
Type		○ electrohydraulic				
Max lifting capacity at hitch points	kg	1400 (F-N-XL) / 1100 (V)				
FRONT PTO						
Type		○ electrohydraulic multidisc clutch with modulated engagement				
CAB AND DRIVING POSITION						
Cab type		high-visibility 4-post monocoque cab w/flat floor and opening front/rear windows				
Cab suspension		● suspended on Hydro silent-block ○ mechanical suspension				
Cab air filter - Filtration category		● dust filter - Cat.2 ○ active carbon filter - Cat.4				
WEIGHT AND DIMENSIONS						
Wheelbase	mm	2140 (F-N-XL) / 2190 (V)				
Height from top of ROPS to rear axle centre	mm	1930				
Shipping weight	kg	3000				

TECHNICAL DATA

X4F PLAT		X4.080 F-GE-GB-XL	X4.090 F-GE-GB-XL	X4.100 F-GE-GB-XL	X4.110 F-GE-GB-XL	X4.120 F-GE-GB-XL
ENGINE						
Engine manufacturer		Deutz AG				
Engine type		TCD 2.9 L4 HT	TCD 2.9 L4 HP			
Rated power (ISO)	hp/kW	75 / 56	78 / 58	85 / 63	95 / 70	104 / 77
Max power (ISO)	hp/kW	75 / 56	90 / 66	95 / 70	102 / 75	112 / 82
Max torque	Nm	375	378	400	410	420
Displacement	cm ³	2900				
Cylinders / Valves		4 TA / 8				
Emissions category		Stage V / Tier IV				
After treatment system		DOC+DPF	DOC+DPF+SCR			
TRANSMISSION						
Transmission type		● Speed Four ○ Speed Four (Hi-Lo) / Power Four (HiLo) / Xtrashift (HML)				
No. of gears FW+RW		● 12+12 ○ 16+16 creeper / 24+24 Hi-Lo / 32+32 Hi-Lo+creeper / 36+12 HML / 48+16 HML+creeper				
ECO engine speed at 40 km/h	rpm	●				
Transmission control		● manual (Speed Four / Power Four / Xtrashift)				
Front axle type		● rigid ○ suspended (F-XL)				
Traction type		fully electrohydraulic 4WD				
REAR PTO						
Type		● servoassisted clutch ○ electrohydraulic multidisc clutch (w/RPS)				
Speeds	rpm	● 540-540E ○ 540-1000 / 540-540E-1000-1000E / groundspeed PTO				
HYDRAULIC SYSTEM						
Hydraulic flow rate for rear hitch & remotes + steering	l/min	● 58+30 ○ 36+58+30 (94 available rear hitch & remotes)				
Rear remote valves		● 2 ○ 1+1 hydraulic motor / 2+1 kick-out / 2+1 hydraulic motor / 2+1 hydraulic motor + 1 electronic hitch				
Mid-mounted remote valves		○ 1 electronic hitch / 3 electronic hitch				
Front quick couplings		○ 2 + 1 free flow return / 4 + 1 free flow return				
REAR HYDRAULIC HITCH						
Type		● mechanical with position/draft/mixed control ○ electronic with position/draft/mixed control				
Max lifting capacity at hitch points	kg	● 2700 ○ 3400 (XL w/assistor rams)				
FRONT HYDRAULIC HITCH						
Type		○ electrohydraulic (F-XL)				
Max lifting capacity at hitch points	kg	1400				
FRONT PTO						
Type		○ electrohydraulic multidisc clutch with modulated engagement				
CAB AND DRIVING POSITION						
Platform type		● ROPS with 228mm high central tunnel				
Platform suspension		suspended on silent blocks				
WEIGHT AND DIMENSIONS						
Wheelbase	mm	2140				
Height from top of ROPS to rear axle centre	mm	1710				
Shipping weight	kg	2800				

Key: ● standard ○ option

X3		X3.070 F-GE	X3.080 F-GE
ENGINE			
Engine manufacturer		Kohler	
Engine type		KDI 2504 TCR	
Max power (ISO)	hp/kW	68 / 50	75 / 55
Rated engine speed	rpm	2200	
Max torque	Nm	315	
Max torque engine speed	rpm	1500	
Displacement	cm ³	2500	
Cylinders / Valves		4 TA / 16	
Emissions category		Stage V	
Fuel tank capacity	l	50	
TRANSMISSION			
No. of gears FWD+REV		● 12+12 ○ 16+16 w/creeper	
ECO engine speed at 40 km/h	rpm	● 2200	
Traction type		electrohydraulic 4WD	
Front differential lock		● Hydralock	
REAR PTO			
Speeds	rpm	● 540 ○ 540-540E / 540-1000 /ground speed PTO	
HYDRAULIC SYSTEM			
Hydraulic flow rate for rear hitch & remote valves + steering	l/min	● 50+30 ○ 60+30	
Rear remote valves		● 1 ○ 2 / 3	
Rear hitch category - coupler type		Cat.2 w/quick hooks	
Max lifting capacity at hitch points	kg	● 2200 ○ 2700 w/heavy-duty hitch and ELS	
CAB AND DRIVING POSITION			
Cab type		● low-profile 6-post cab w/central tunnel (F-GE) ○ high visibility 4-post monocoque cab	
Platform type		● ROPS with 265mm high central tunnel	
WEIGHT AND DIMENSIONS			
Wheelbase	mm	1950	
Height from top of ROPS to rear axle centre	mm	1965	
Height from top of cab to rear axle centre	mm	1500 (LP Cab) / 1660 (STD Cab Cat.2) / 1695 (STD Cab Cat.4)	
Height from top of bonnet to rear axle centre	mm	755	
Max length w/front weights	mm	3652	
Min-max overall width	mm	1335-1710	
Shipping weight	kg	2200 (Plat) / 2500 (LP Cab) / 2500 (STD Cab)	
Front and mid-mount implement support		○	

TECHNICAL DATA

X2		X2.055 STD	X2.060 STD	X2.055 GE	X2.060 GE
ENGINE					
Engine manufacturer		Kohler			
Engine type		KDI 1903 TCR			
Max power (ISO)	hp/kW	49 / 36	57 / 42	49 / 36	57 / 42
Max torque	Nm	180	200	180	200
Max torque engine speed	rpm	1200			
Displacement	cm ³	1900			
Cylinders / Valves		3 TA / 12			
Emissions category		Stage V			
After-treatment system		EGR + DOC + DPF			
Engine Memo Switch		●			
TRANSMISSION					
Transmission type		mechanical			
No. of gears FWD + REV		● 12+12 ○ 16+16 w/creeper			
Reverse shuttle		synchro shuttle			
Traction type		4WD			
REAR PTO					
Speeds	rpm	● 540/540E ground speed PTO			
HYDRAULIC SYSTEM					
Hydraulic flow rate for rear hitch & remotes + steering	l/min	35+20			
Rear remote valves		● 2 std ○ 2 std + 1 float			
REAR HYDRAULIC HITCH					
Hitch type		mechanical with position and draft control			
Max lifting capacity at hitch points	kg	1200			
FRONT HYDRAULIC HITCH					
Max lifting capacity at hitch points	kg	400			
FRONT PTO					
Speeds	rpm	○ 1000			
CAB AND DRIVING POSITION					
Cab type		○ 4-post FOPS structure w/opening front window		-	
Cab air conditioning		○ manual A/C		-	
Digital dashboard		●			
WEIGHT AND DIMENSIONS					
Wheelbase	mm	1790		1770	
Min-max height over bonnet	mm	1230 - 1305		1131 - 1206	
Min-max length w/front weights	mm	3168 - 3504		3168 - 3504	
Min rear tyre size - Index Radius - IR	mm	320/70R20 - 475		320/70R20 - 475	
Shipping weight	kg	1600 / 1780		1580	

Key: ● standard ○ option



Power Technology.

via G. Matteotti, 7 | 42042 Fabbro [RE] Italia | t. +39.0522.656.111 | f. +39.0522.656.476
webmaster@argotracors.com | www.argotracors.com



graphic design: gruppo saldatori | www.grupposaldatori.com
All data and illustrations provided in this brochure are for information purposes only and can be changed without notice.

 **6636999A4**